



K2:12



S3:60



X5:80



T1:90

All Ranges
Installation Guide



Thank you...

...for choosing our range of washroom products.

Please follow the instructions in this guide to ensure that your products are installed to a high standard and will give you many years of service.

If you require any further assistance or advice,
please call our technical department on

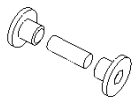
01707 254170

Contents

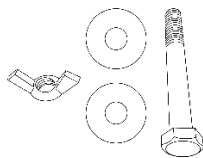
TOOLS REQUIRED	4
DUCT PANELS	5
Fixing the frame (framing supplied by contractor):	5
Fixing the shadow panels:	9
Fitting the duct panels:.....	10
VANITY UNITS	15
Fixing the frame:.....	15
Fitting the top (post formed HPL):.....	17
Fitting the top (SGL):.....	20
Fitting the Solid Surface trough:	22
Fitting the end panel:.....	24
CUBICLES S3:60, K2:12 & X5:80	26
Assembling pilasters:.....	26
Setting out and fixing cleats:.....	29
Fixing division panels:.....	30
Preparation for fixing pilasters:	32
Fixing pilasters:.....	36
Fixing doors:	40
Fixing accessories:	41
CUBICLES T1:90	42
Assembling pilasters:.....	42
Setting out and fixing cleats and floor channel:	43
Fixing division panels:.....	45
Fixing pilasters:.....	48
Fixing doors:	52
Fixing accessories:	53
NOTES	54

TOOLS REQUIRED

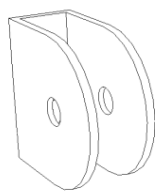
- Hammer drill
- Cordless screwdriver
- Hammer
- 1,200 mm (4ft) level
- Tape measure
- Square
- Soft jaw clamps (for head rail)
- Hacksaw
- File
- Pozi screwdriver no. 2
- Sharp pencil
- Wooden block (temporary support for divisions)
150 mm for K2:12 & S3:60, 100 mm for X5:80
- Packers (temporary support for divisions)
- 7 mm masonry drill
- 3.5 mm & 9.5 mm HSS drill bits (supplied)
- 8 mm HSS drill bit (supplied)
- Fittings (supplied)



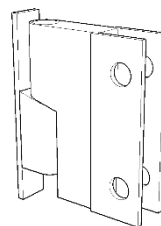
Interbolt



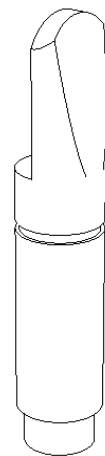
Bolt



Cleat



Hinge

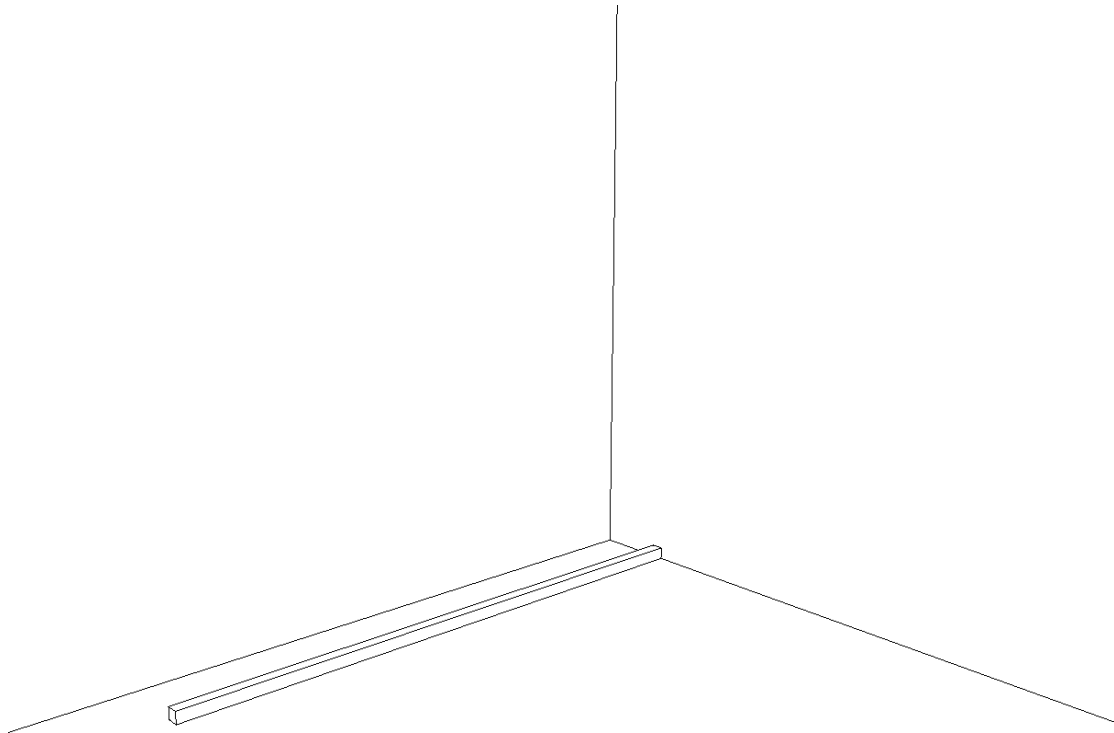


Pedestal

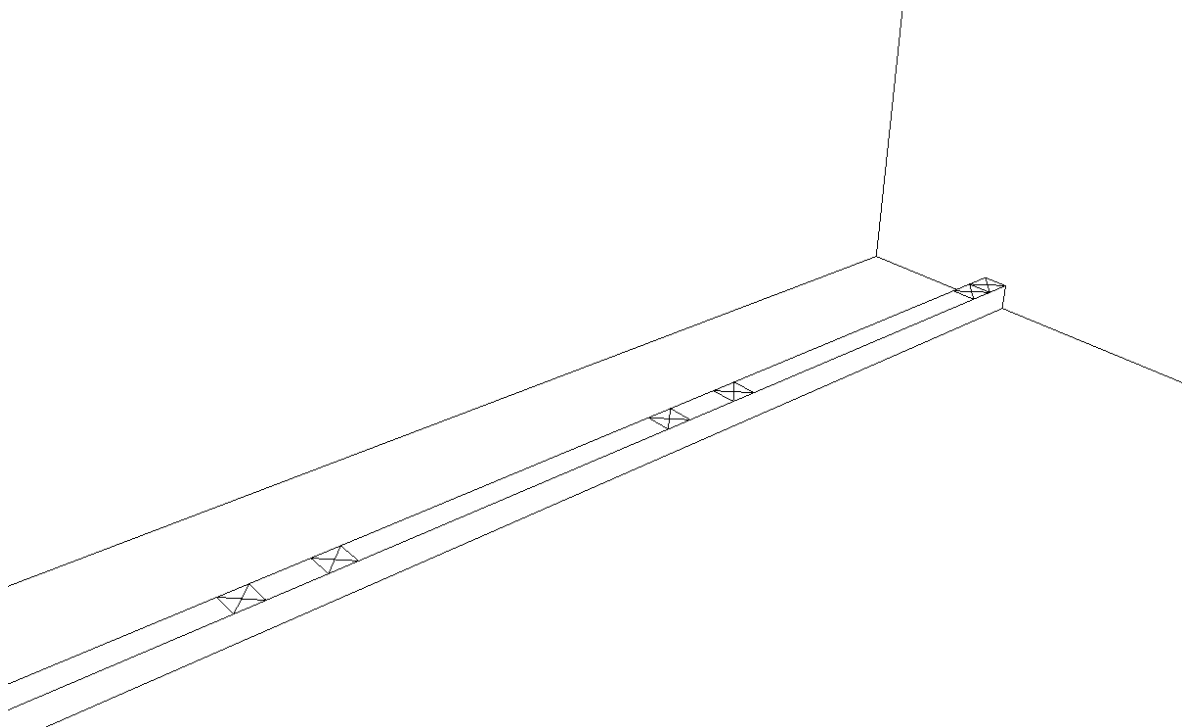
DUCT PANELS

Fixing the frame (framing supplied by contractor):

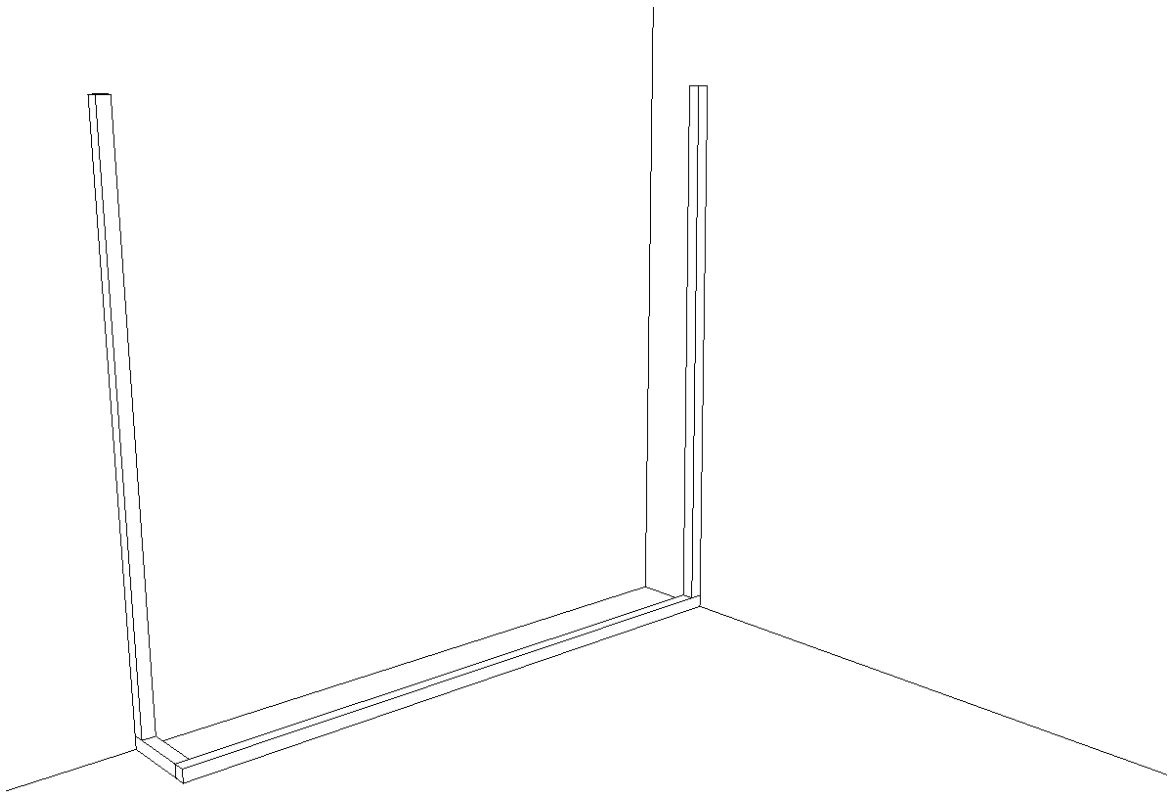
1. Consult drawings.
2. Cut timber to length for the base and fix to the floor at the correct distance from the wall (refer to drawings).



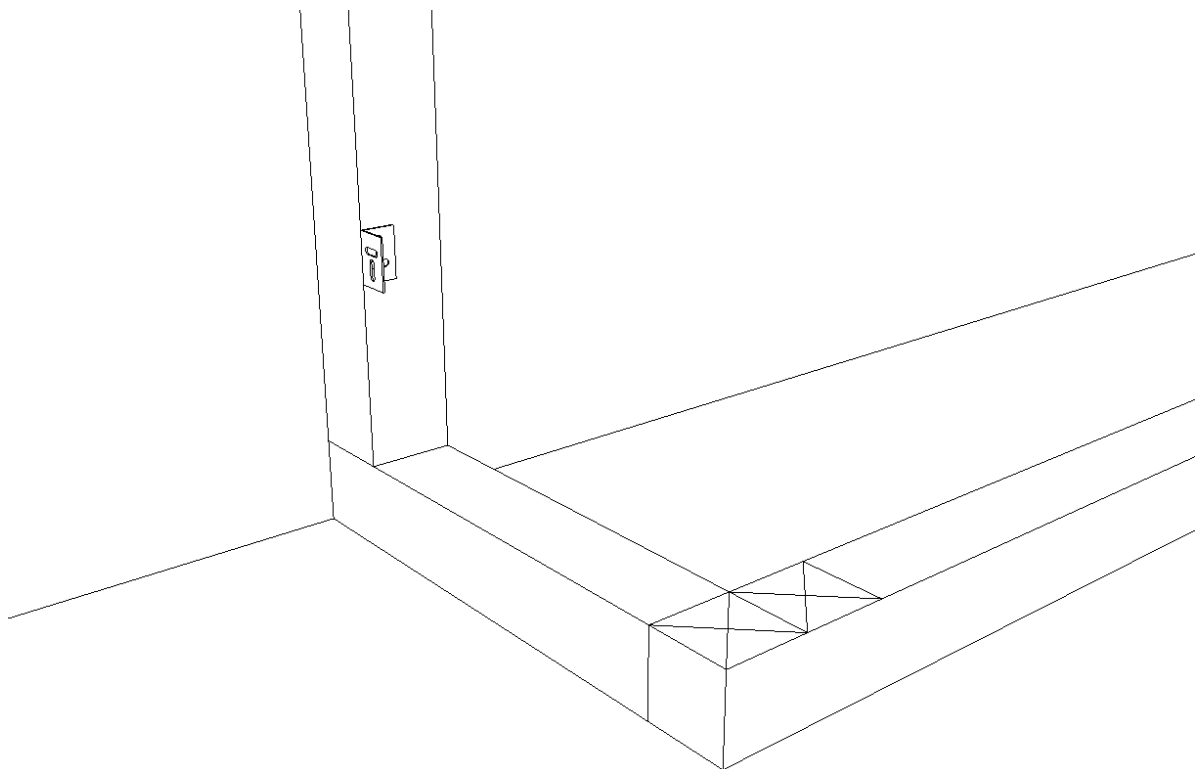
3. Mark the positions of uprights on the base timber and double check with drawings.



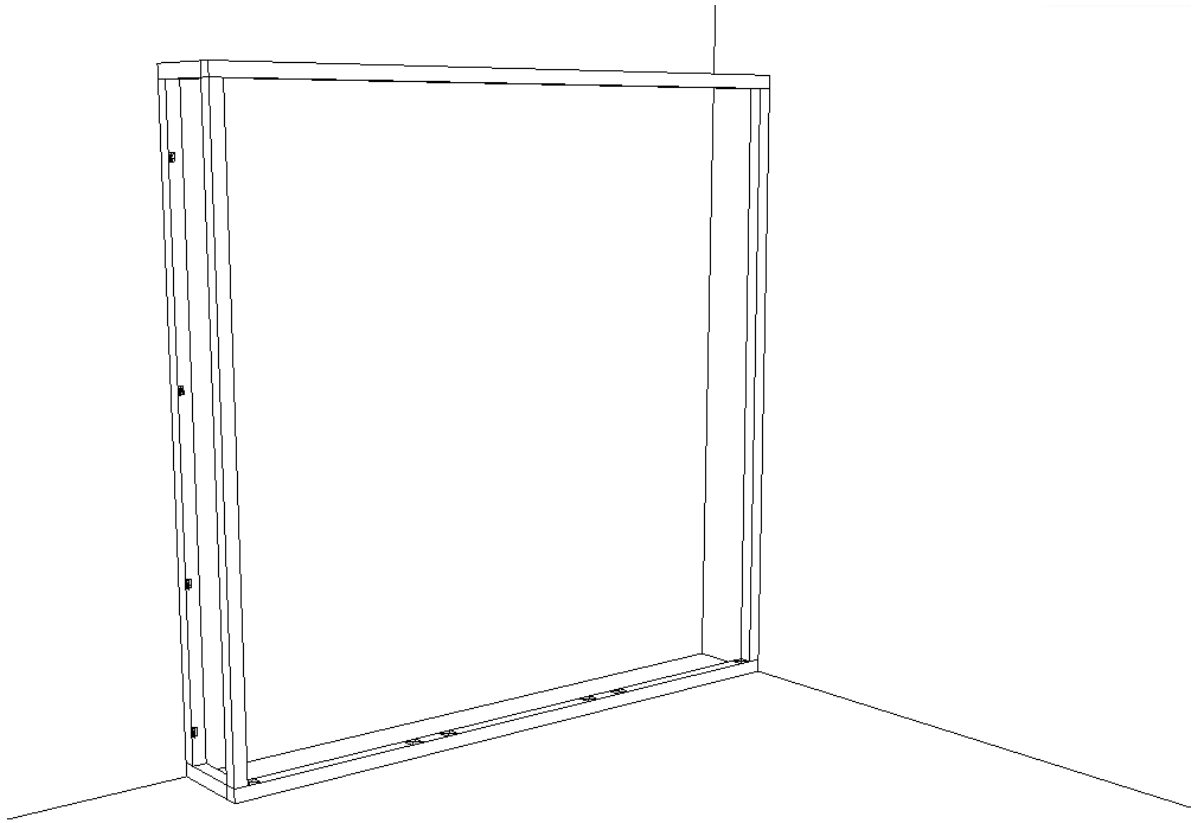
4. Cut end uprights, allowing enough room for a batten to run across the top of the frame. Fix in place.



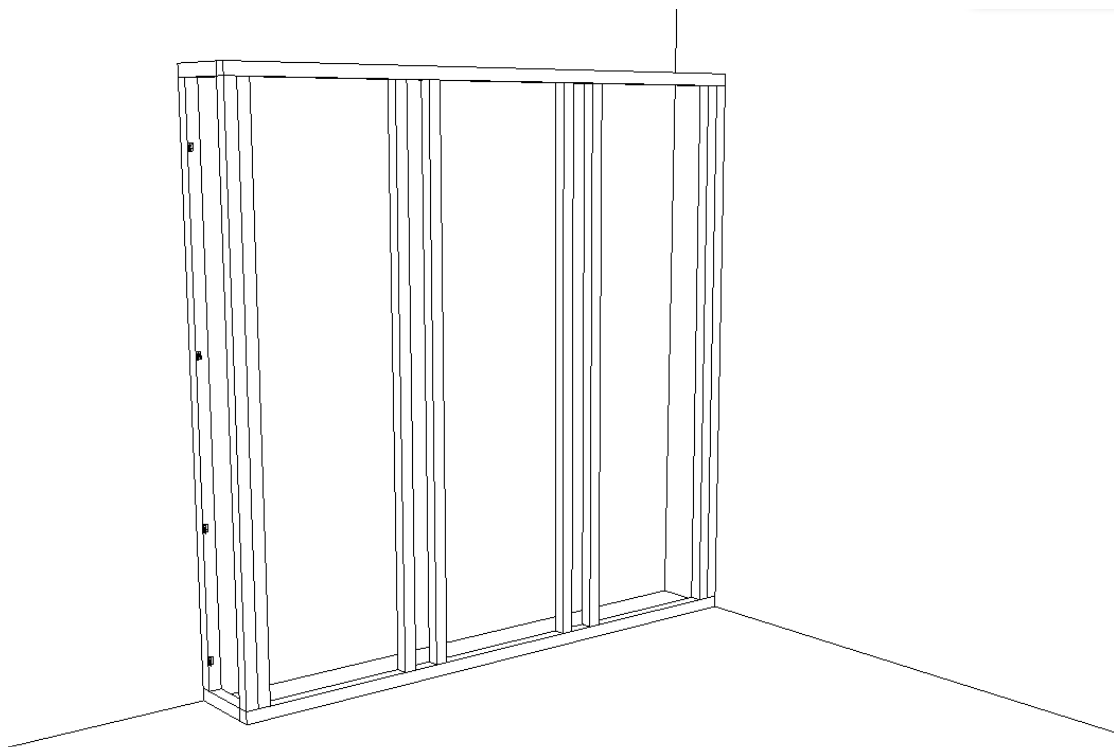
You may want to fit a few brackets to the wall batten ready for fixing the end panel. Refer to Fitting the duct panels, step 12.



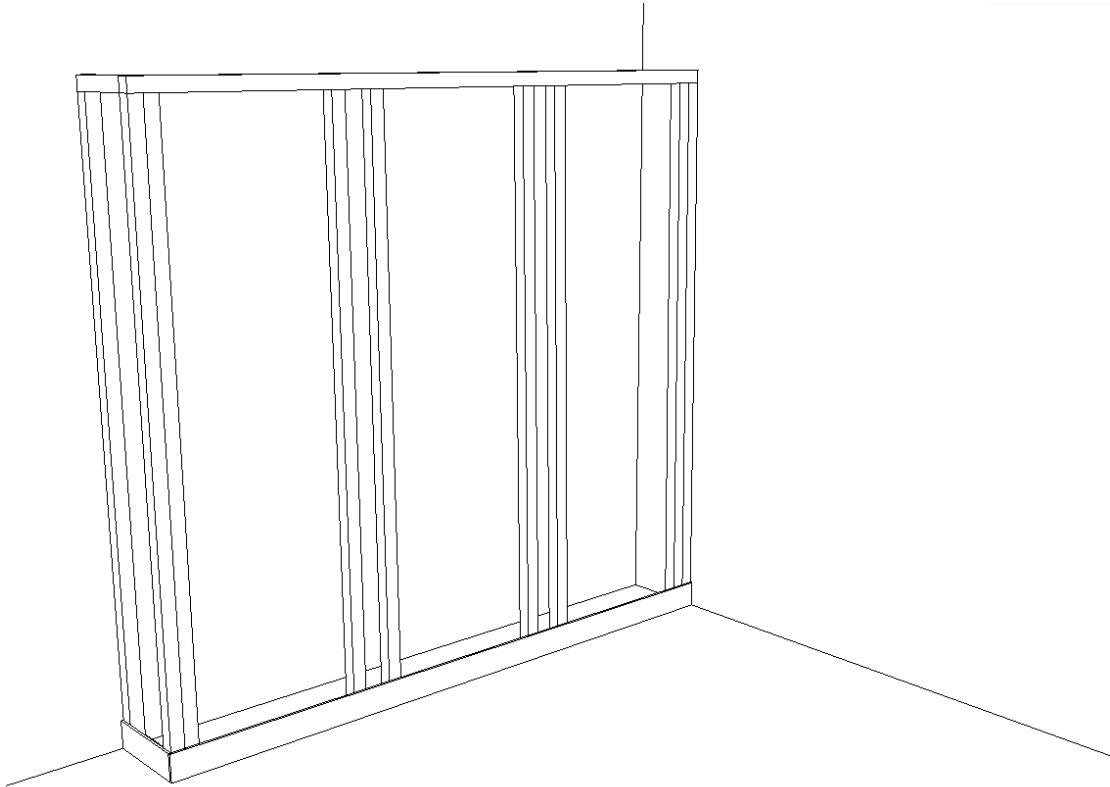
5. Cut and fix top batten(s).



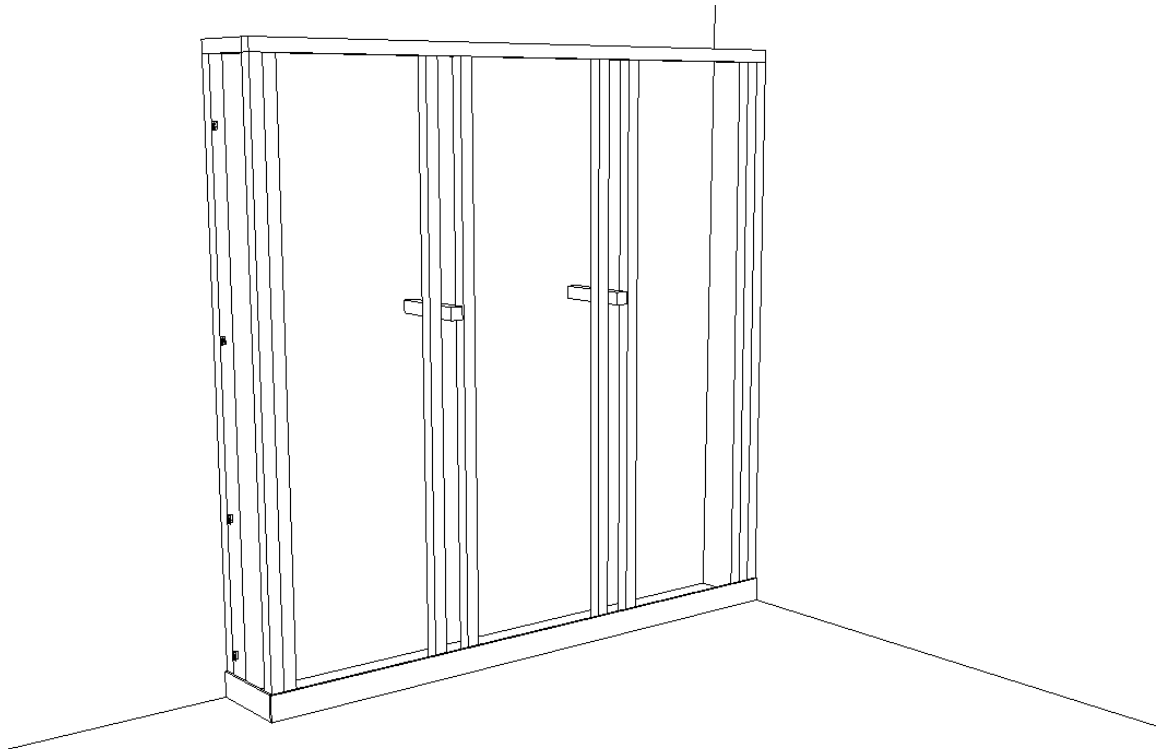
6. Working from one end and to the marks on the base timber, cut and fix uprights and fix in position. Ensure the battens are plumb.



7. Cut 9 mm ply plinth to length and fix **level** at 100 mm height (not following the floor) along the entire length of the frame.

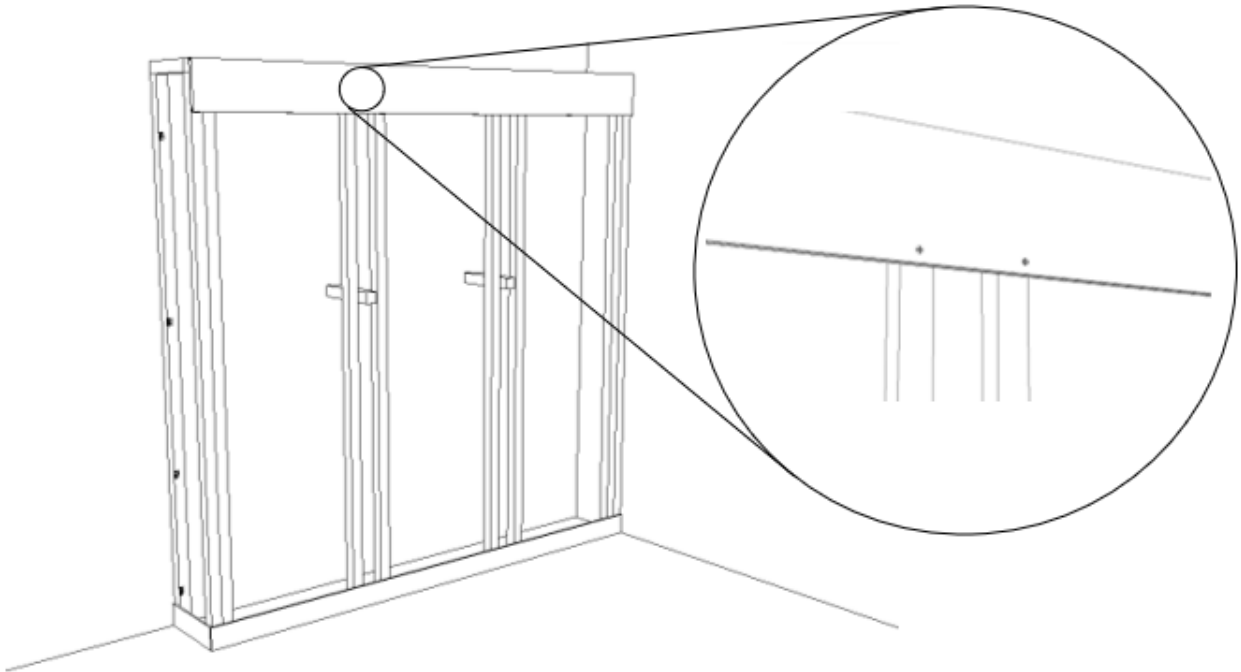


8. Cut and fix additional supports to the back wall to support uprights. These need to be placed about halfway up the height of the upright.

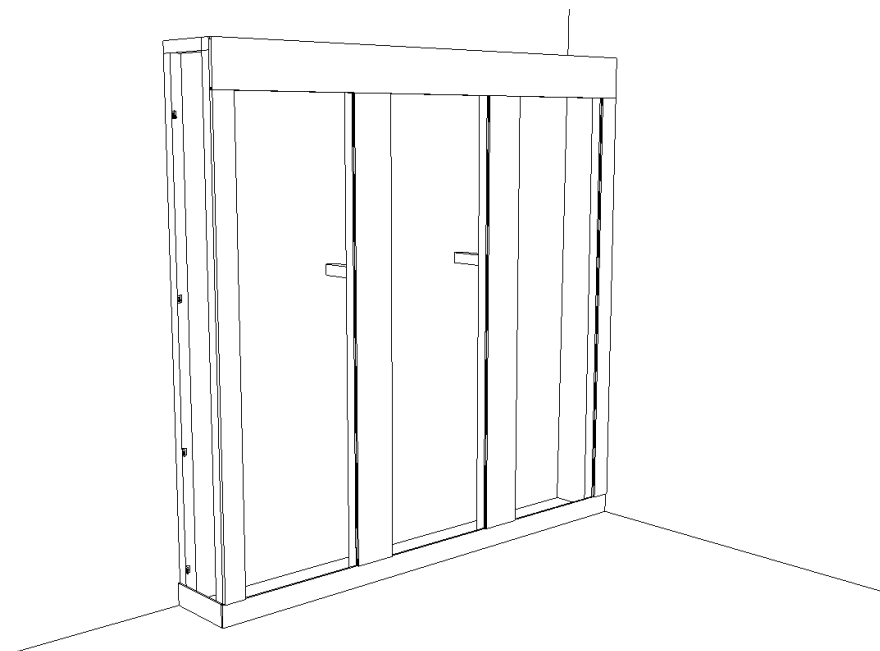


Fixing the shadow panels:

1. Cut the horizontal top shadow tight between the wall (on an enclosed range) or flush with the end of the frame (on a corner or free-standing range).
2. Fix the top shadow as shown on the diagram below, **taking care to place screws where they will be hidden** by the duct panels.

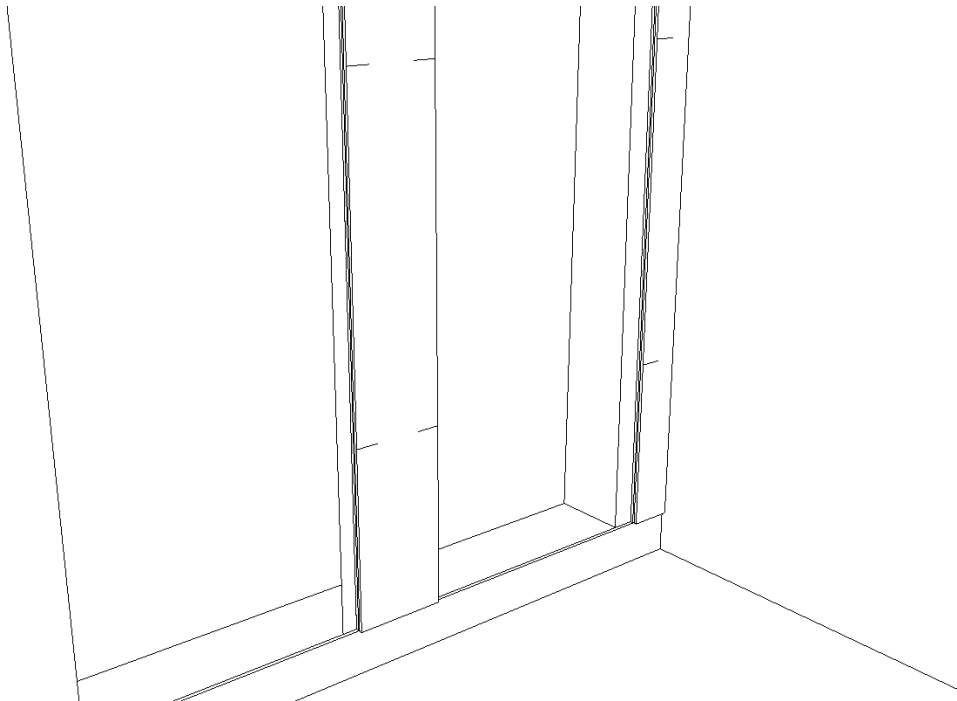


3. Once the top shadow is fixed, butt the vertical shadows up to it. Mark the shadow length, level with the top of the plinth and cut.
4. Fix the vertical shadows, **taking care to place screws where they will be hidden by the duct panels**.

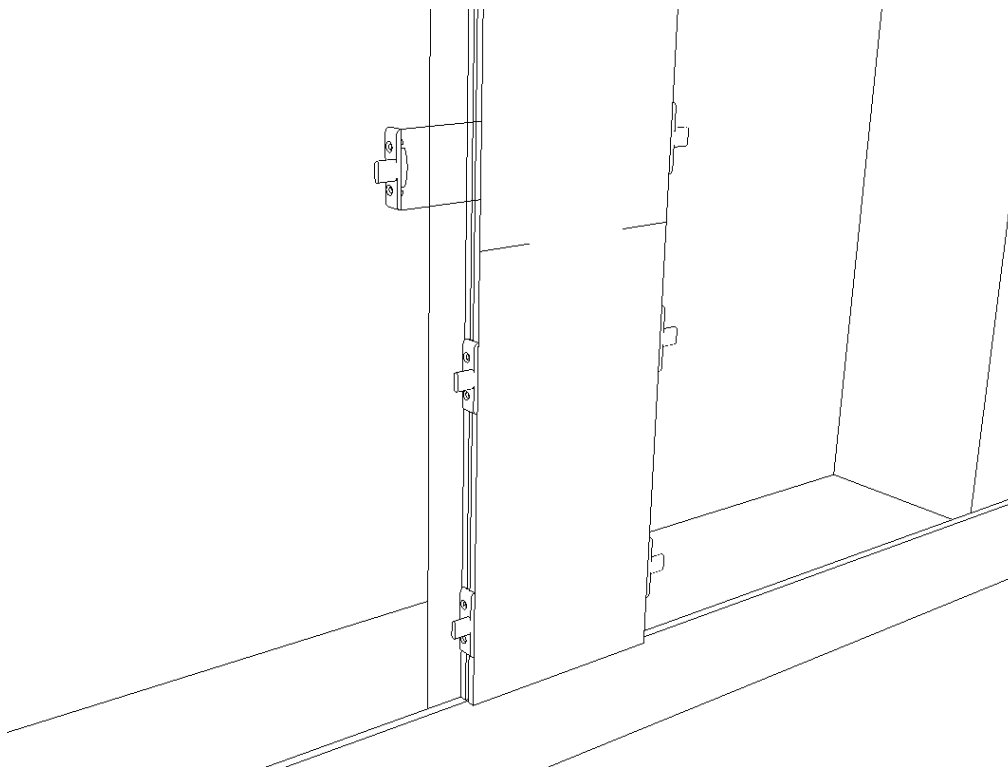


Fitting the duct panels:

1. Mark the height of the duct panels near the edge of the shadows.

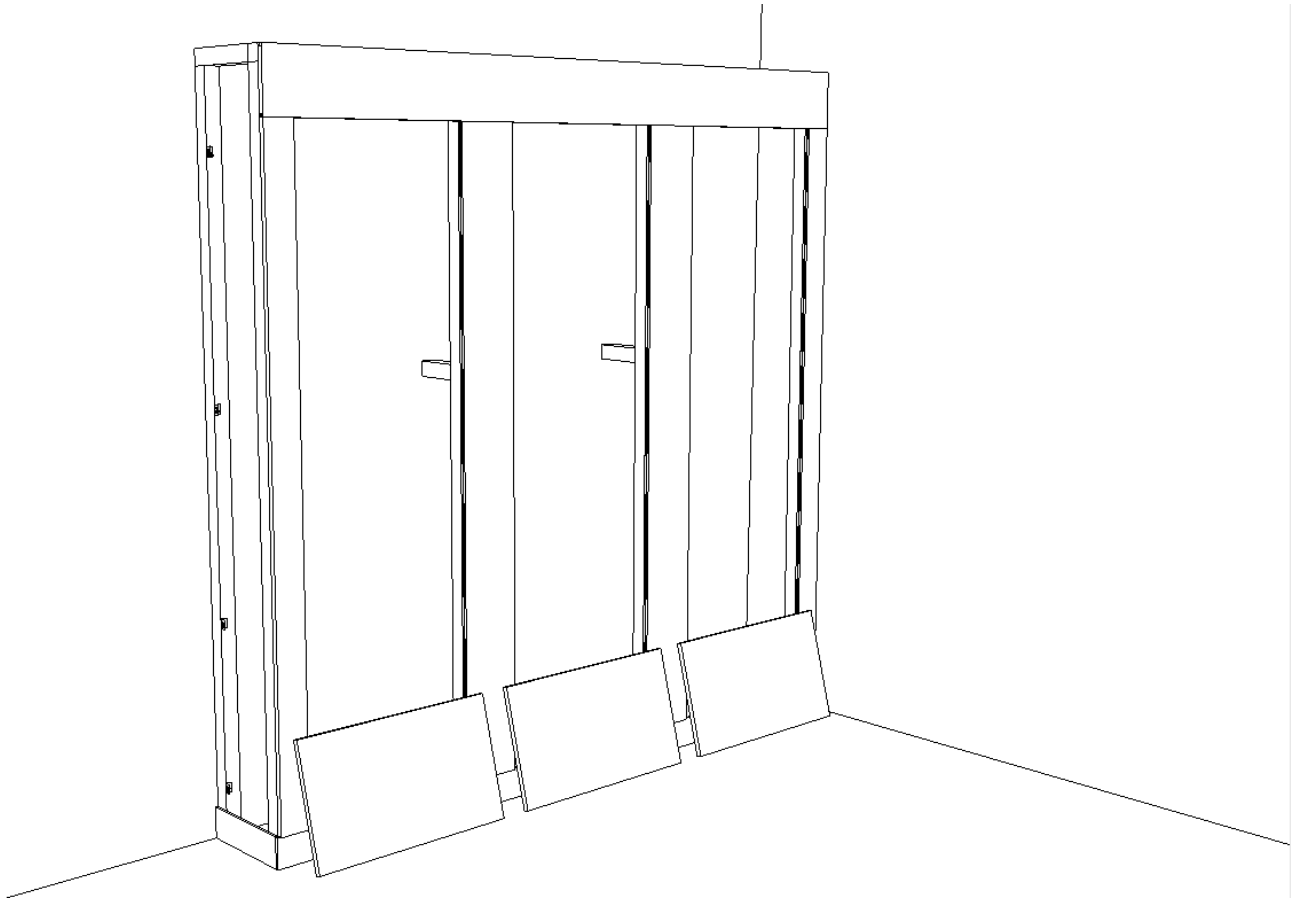


2. Insert the panel clips into the groove on the shadow as shown, using the lines to guide where the clips should be located, and fix with two screws.

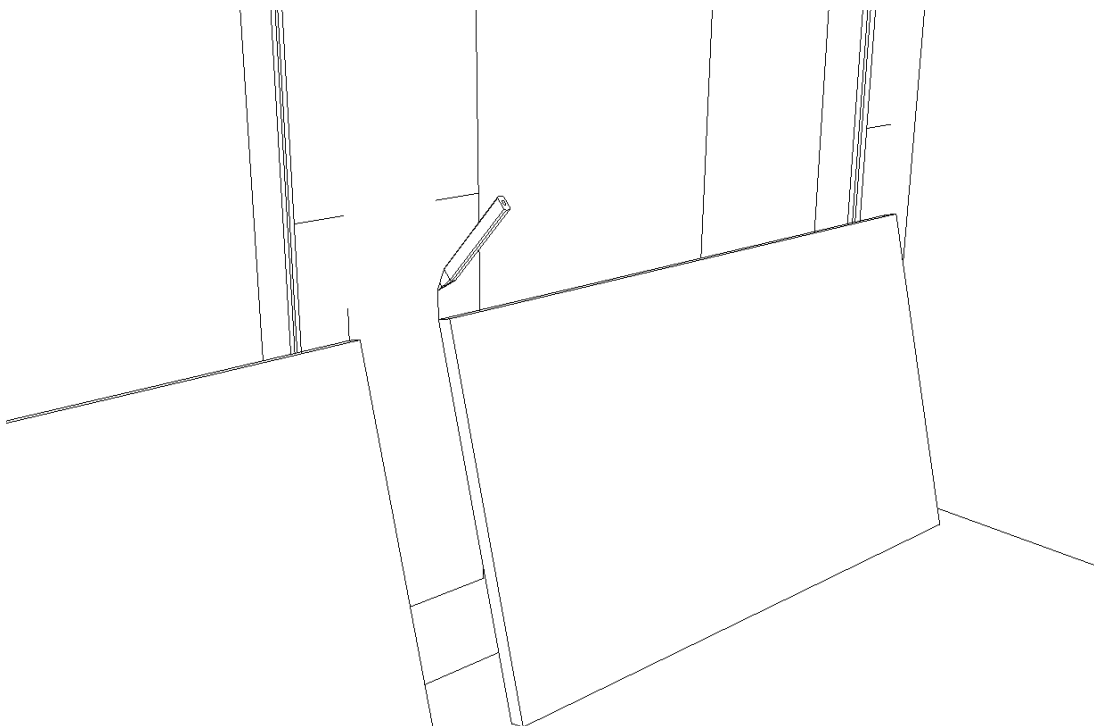


For urinals the bottom panel needs to be on push on clips.

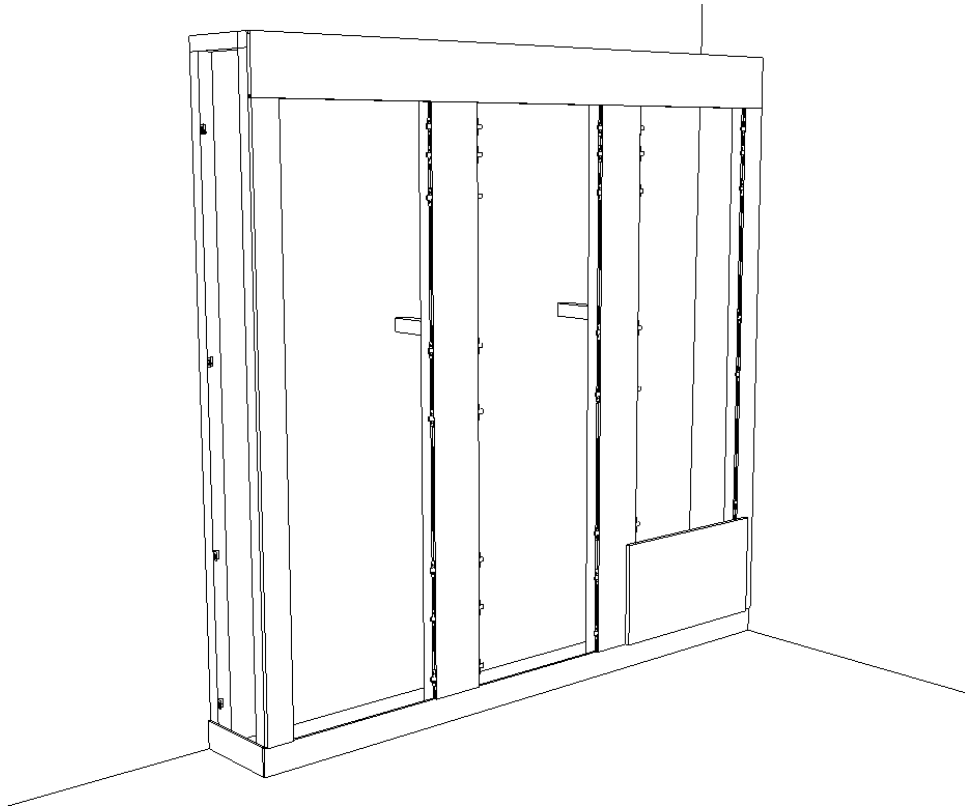
3. Place bottom panels against the shadows, spaced out according to the drawings, then adjust and equalize the spacing between each panel.



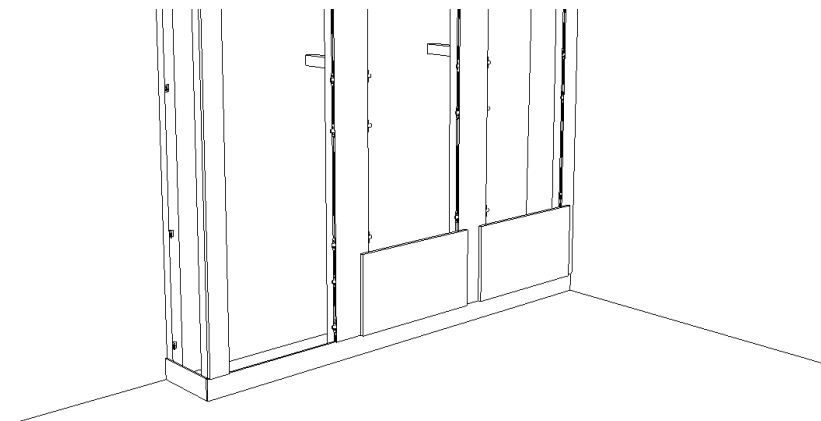
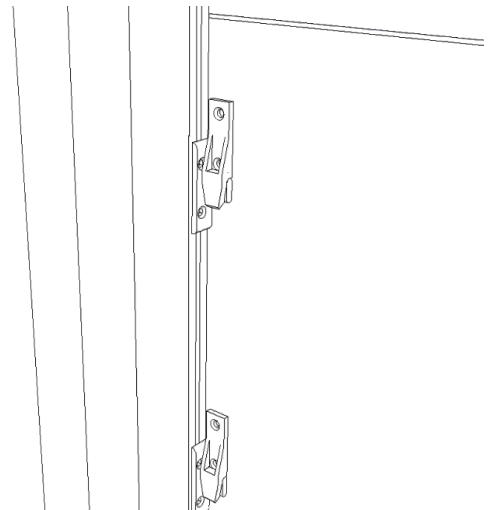
4. Mark either side of each duct panel on the shadow panel with pencil.



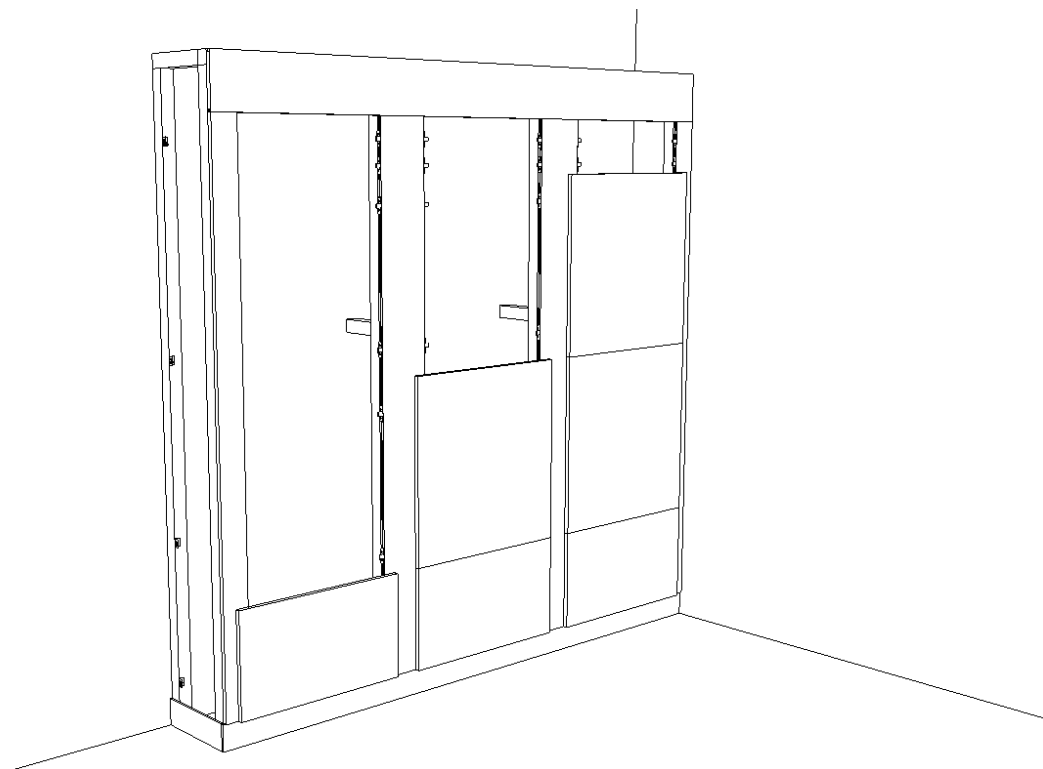
5. Offer the first panel up to the lines you have marked (height and width) and clamp into position, checking that it is level and plumb.



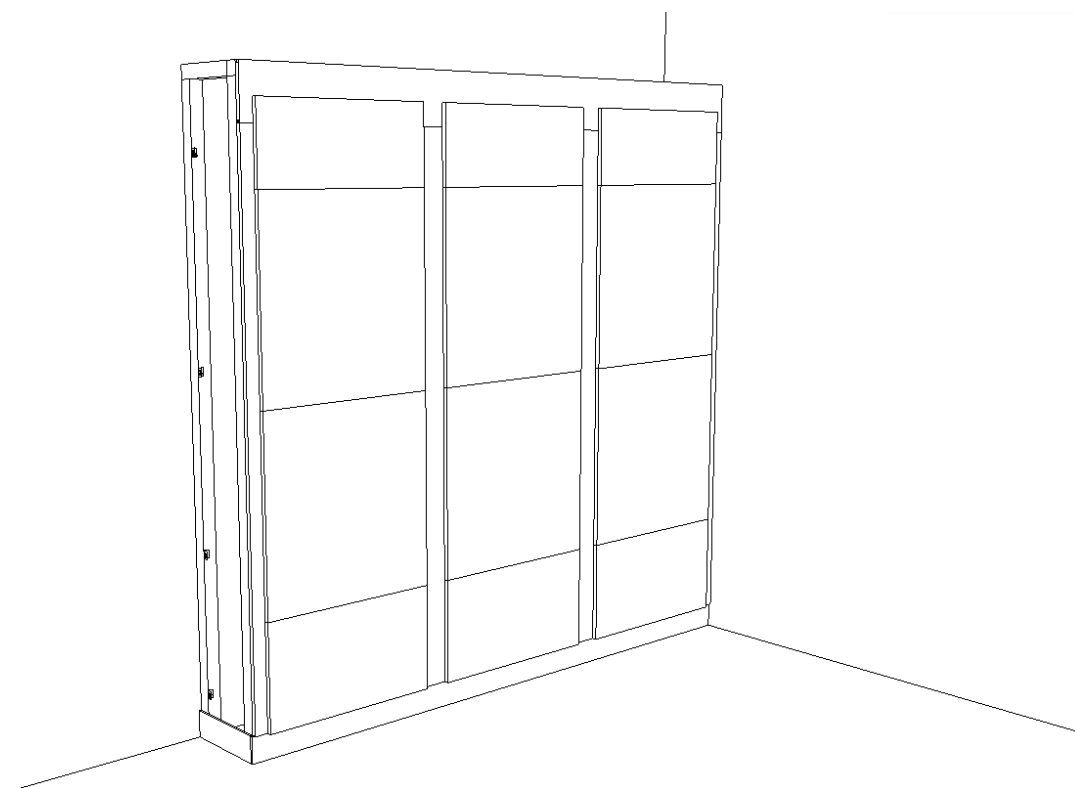
6. Using the second part of the panel clip as a template, mark screw holes for all four clips.
7. Release clamps and fix clips to panel using 4 x 16 mm screws for particle board core and 4 x 12 mm screws for SGL panels. It is essential that the protective film be REMOVED from the rear of the panel to prevent bowing.
8. Clip panel into correct position and check all levels and lines.
9. Repeat process for each bottom panel.



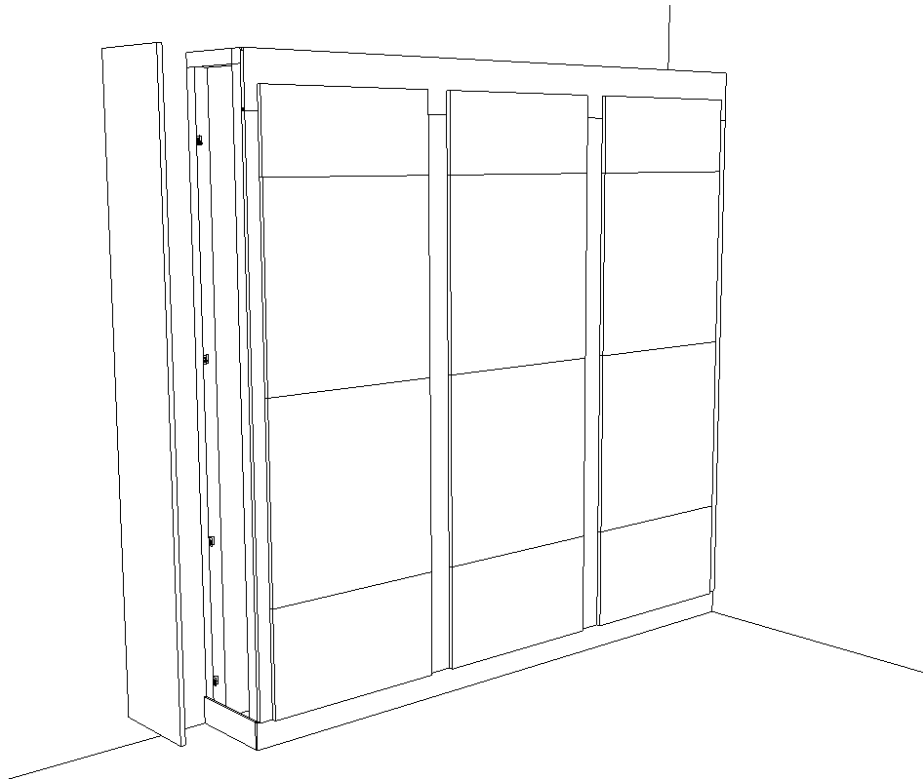
10. Place the second panel on top of the first and repeat the marking and fixing process.



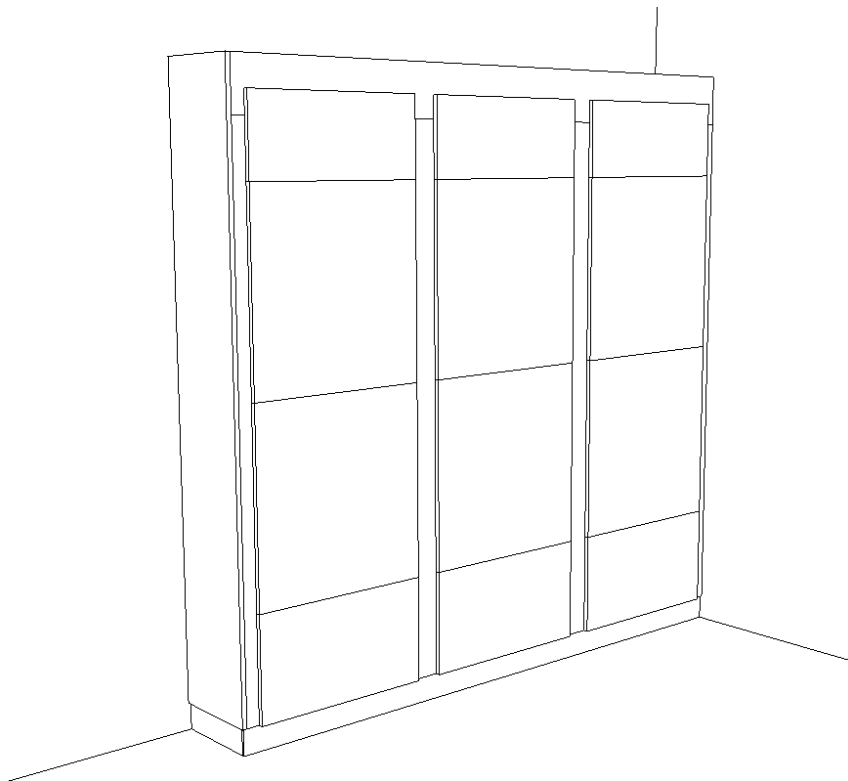
11. Repeat for third and fourth rows until complete.



12. Fit the end panel using corner brackets or push-in clips, as appropriate.



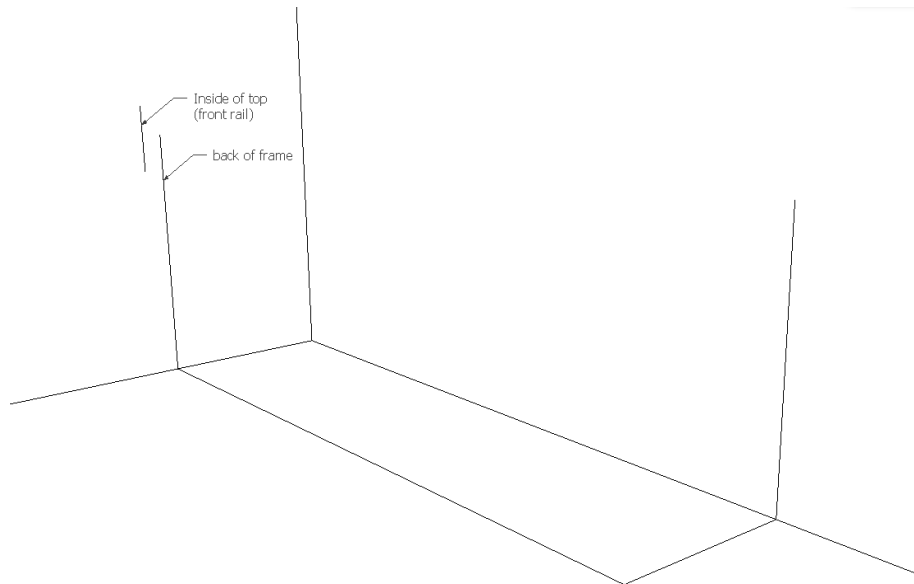
13. Your duct panel should look like this:



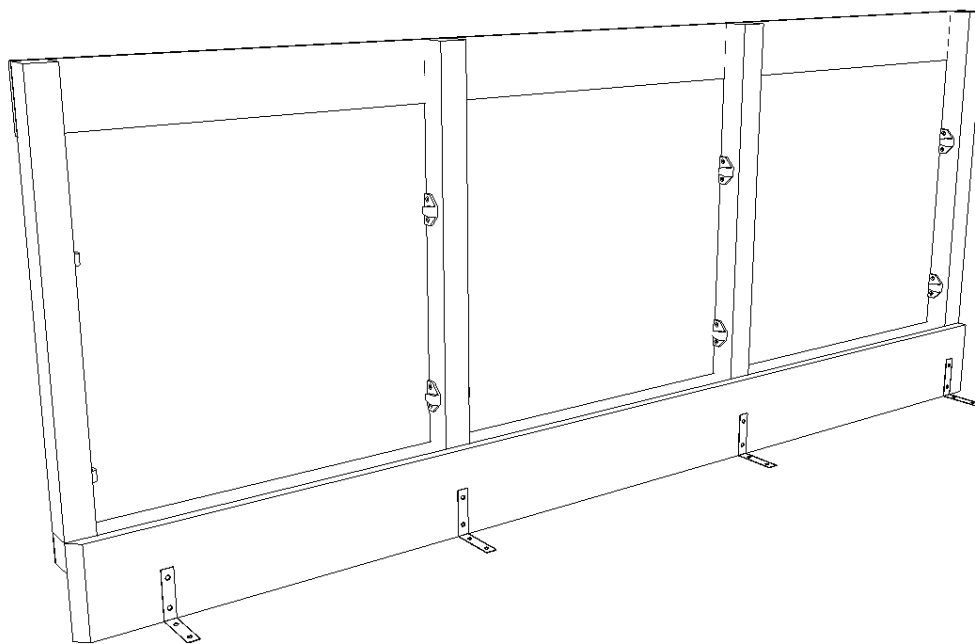
VANITY UNITS

Fixing the frame:

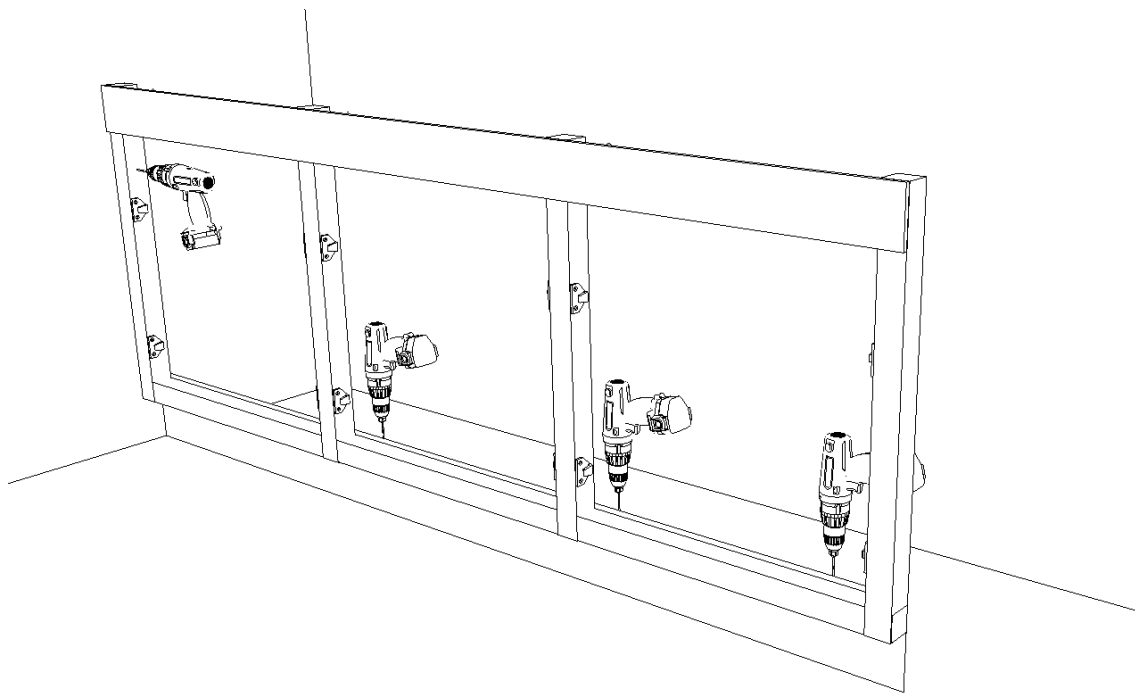
1. Consult drawings.
2. Set out the frame, as detailed on the drawing.



3. Check that the panels are numbered on the reverse, remove from frame and set aside.
4. Fix supplied floor brackets to the rear of the plinth.

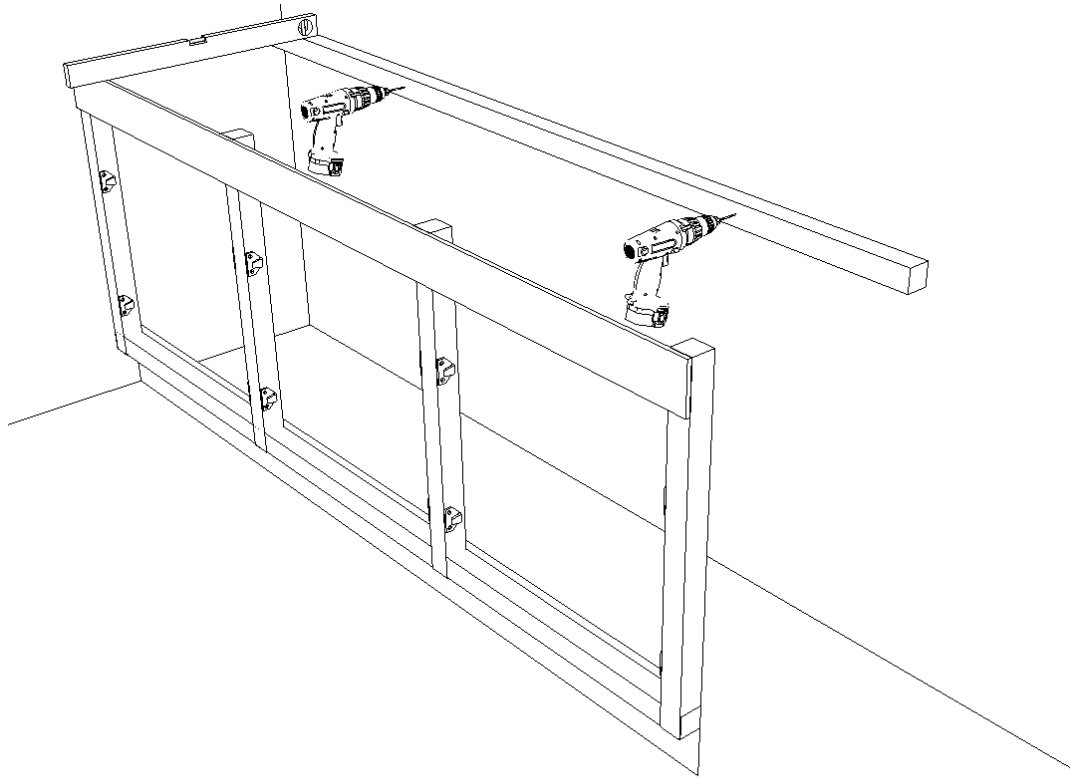


5. **Fix frame to the floor and wall using the setting out marks.**

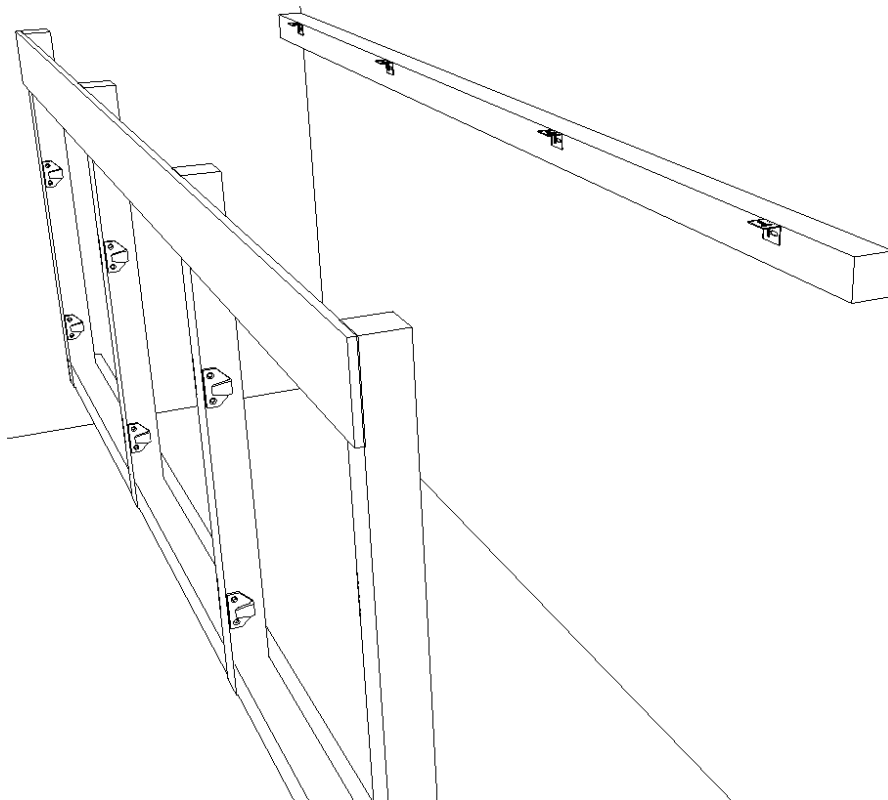


Fitting the top (post formed HPL):

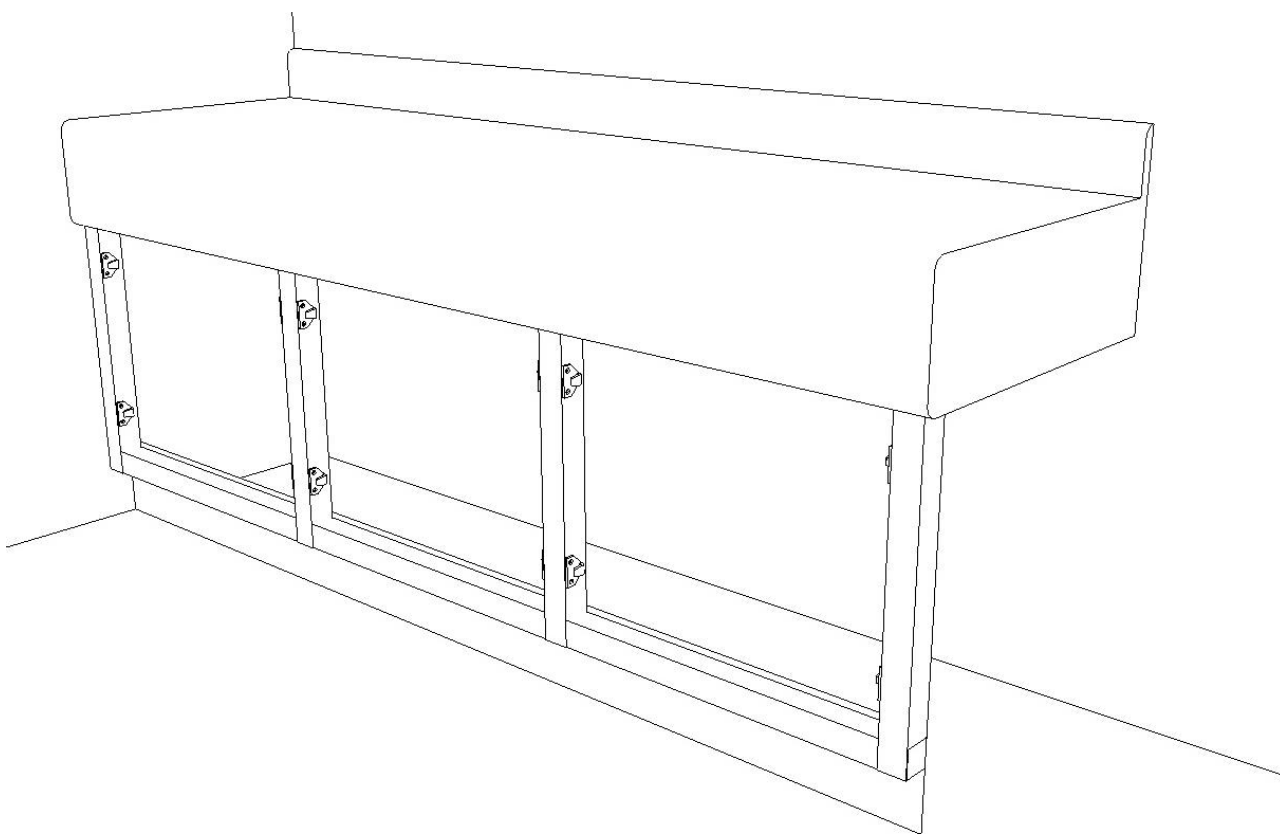
1. Fix horizontal batten (supplied by contractor) to the wall, level with the front rail of the frame.



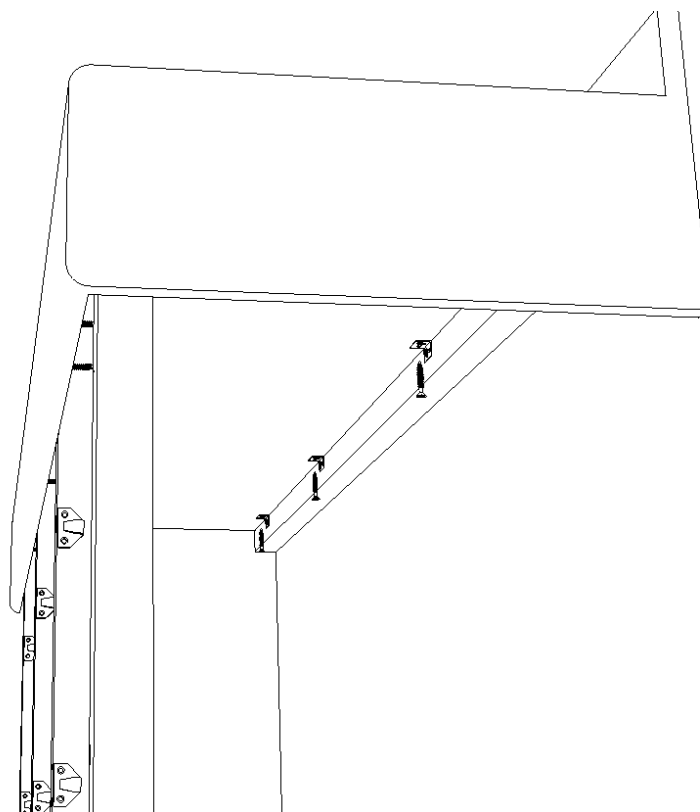
2. Fix small brackets to the front edge of the batten, in line with the upright frame posts. This saves the basin cutouts conflicting with the brackets.



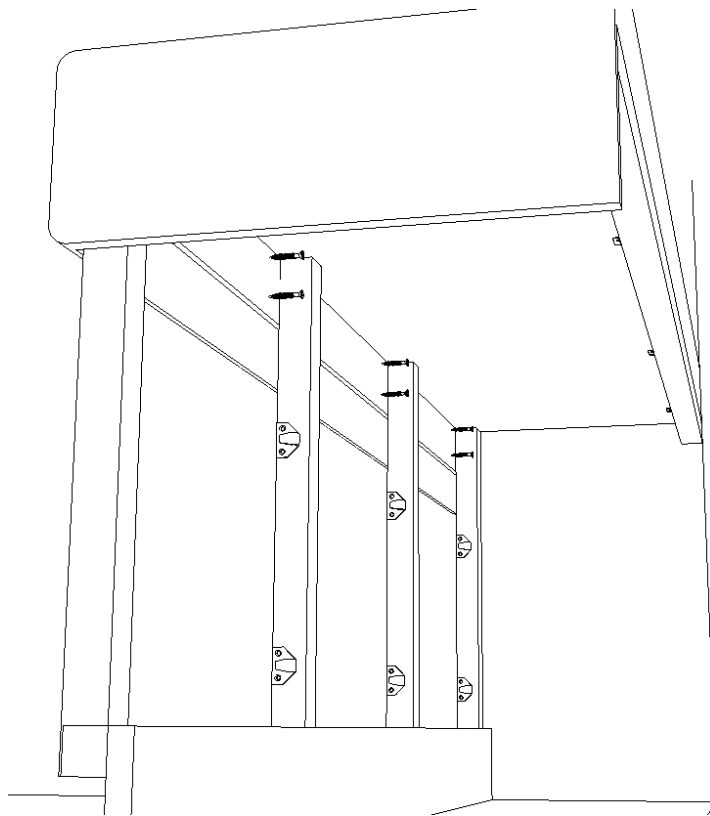
3. Sit the top on to the batten and the frame.



4. Fix the back edge of the top through the small brackets using the 16 mm screws supplied.

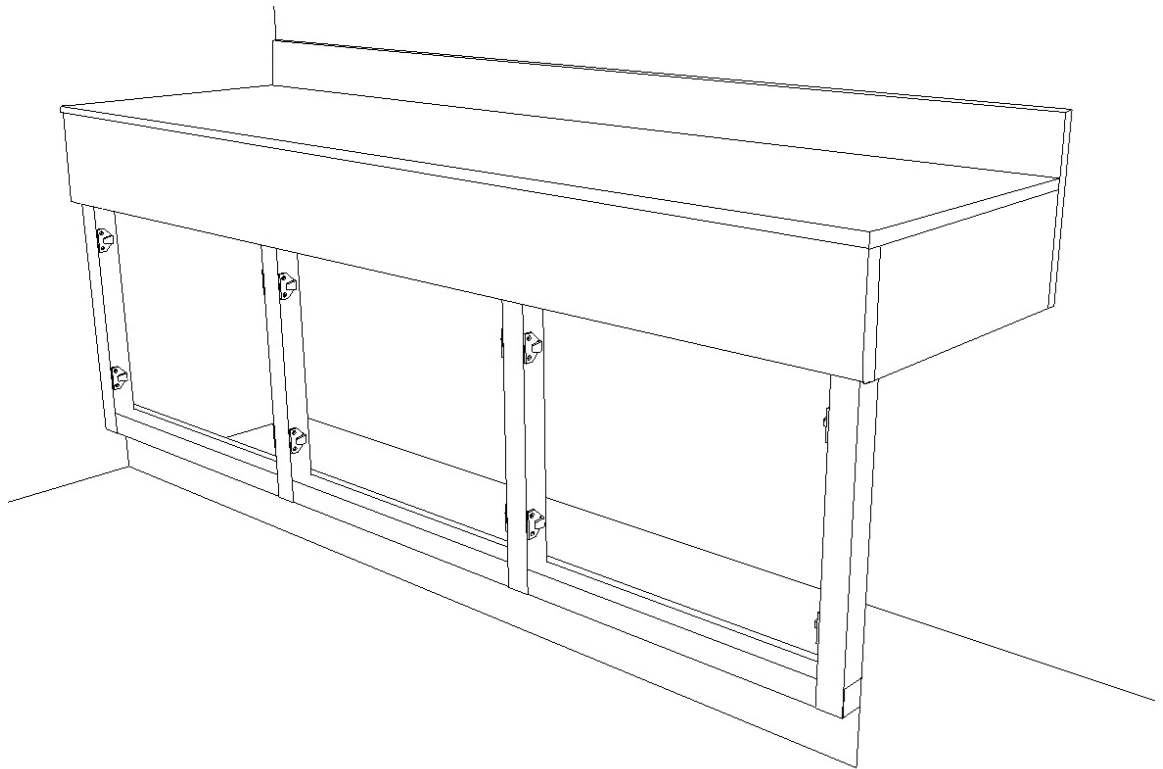


5. Fix the front of the top through the front rail using the 25 mm screws provided.

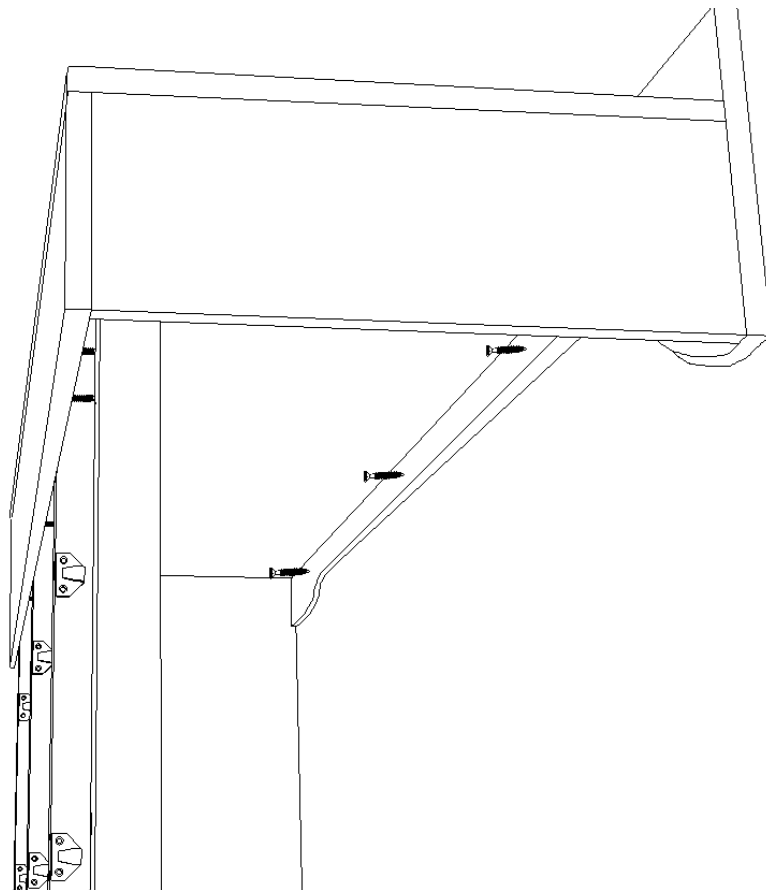


Fitting the top (SGL):

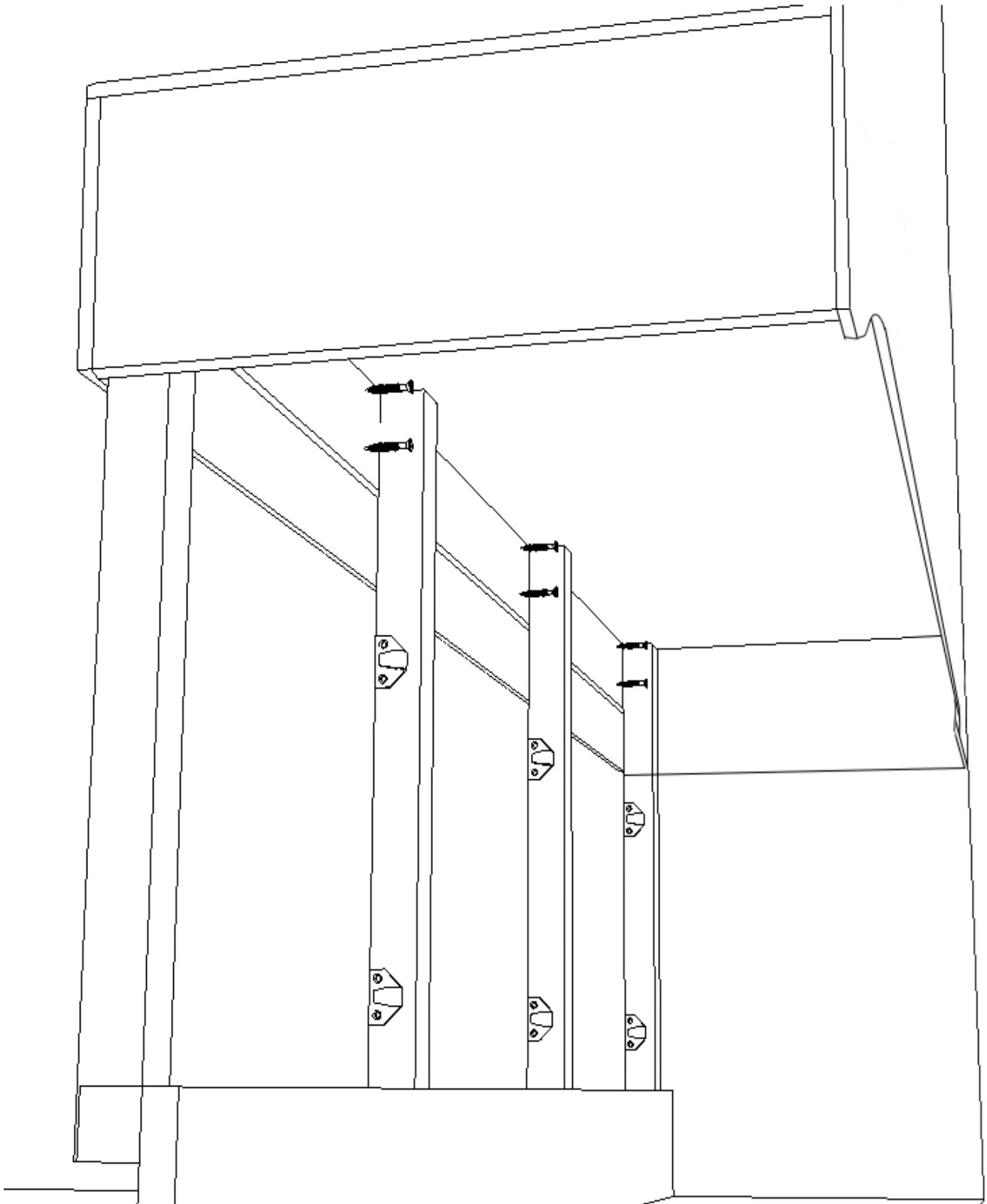
1. Sit the top on to the frame.



2. Fix the back edge of the top to the wall.

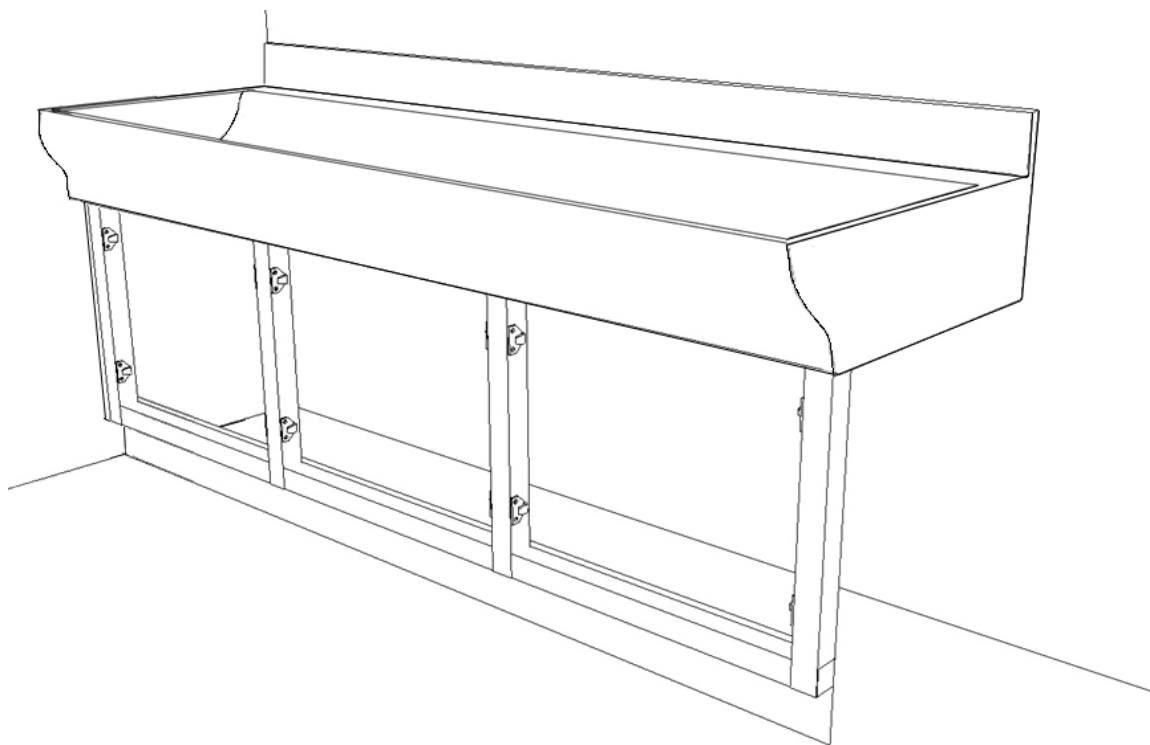


3. Fix the front of the top through the front rail, taking care to ensure there is no breakthrough to the front.

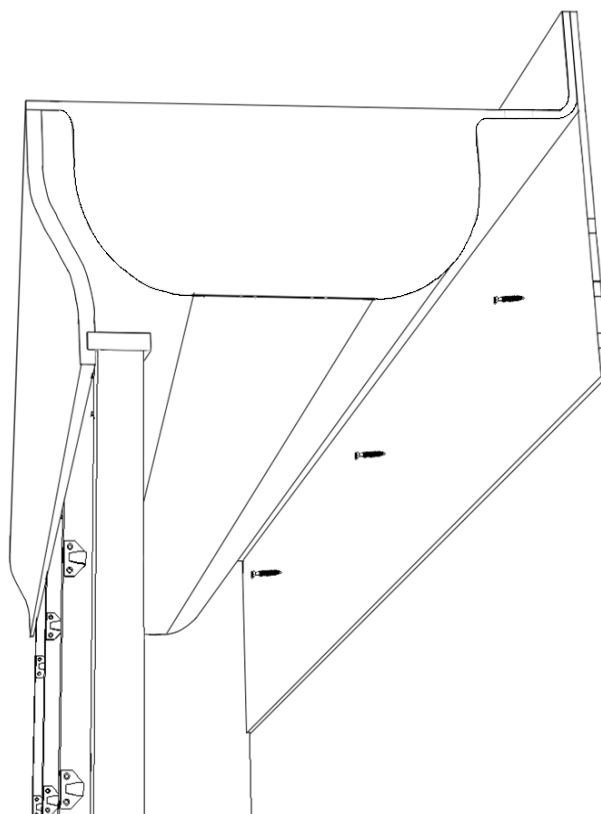


Fitting the Solid Surface trough:

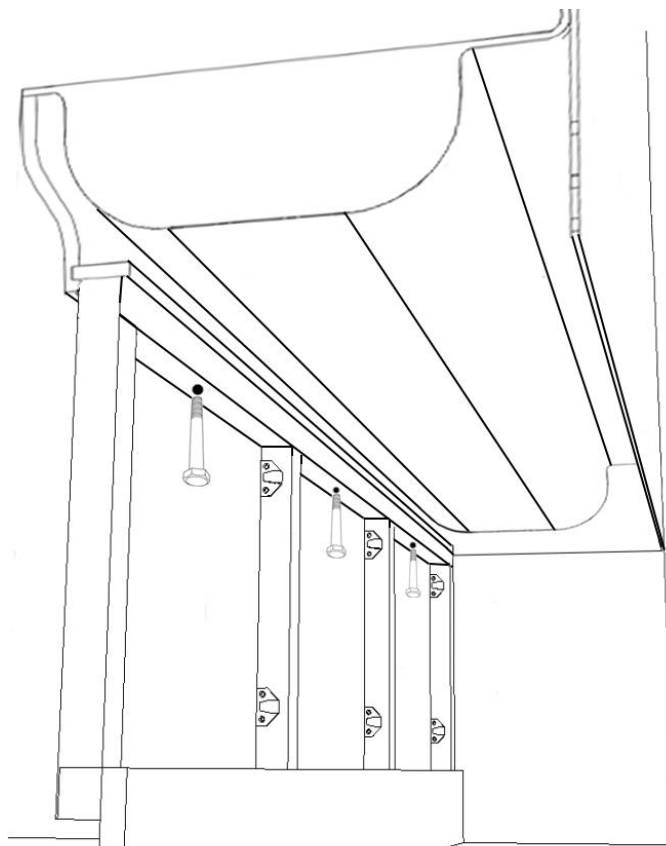
1. Sit the trough on to the frame.



2. Fix the back edge of the top to the wall.

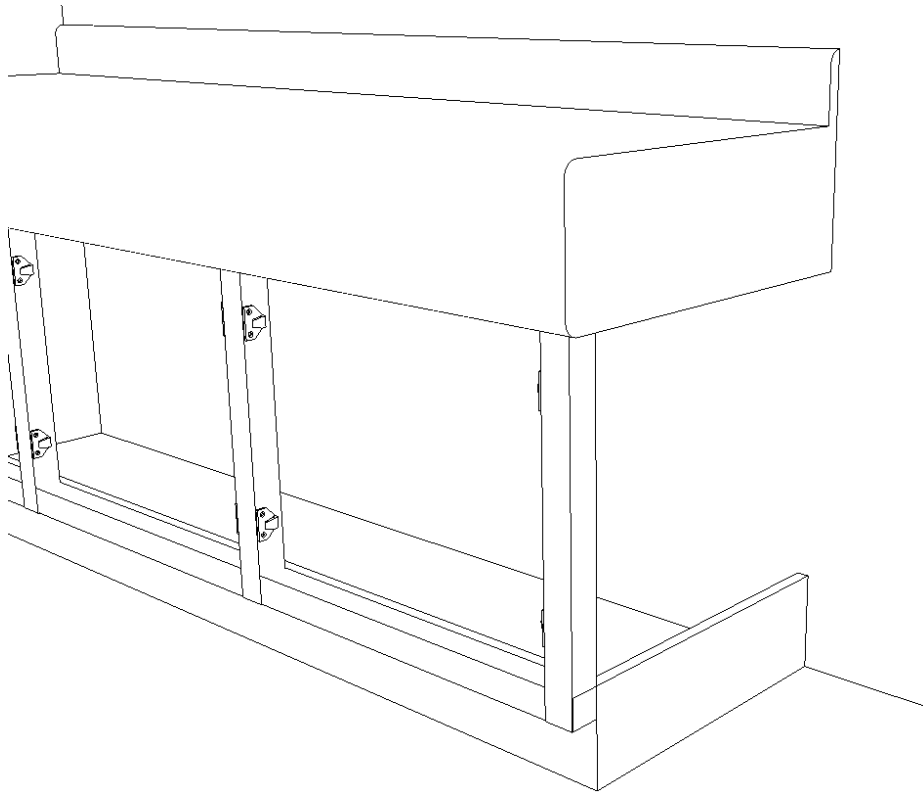


3. Fix the front of the trough by drilling through the front rail using the 8mm drill bit provided and secure with the bolts, washers and wingnuts provided.

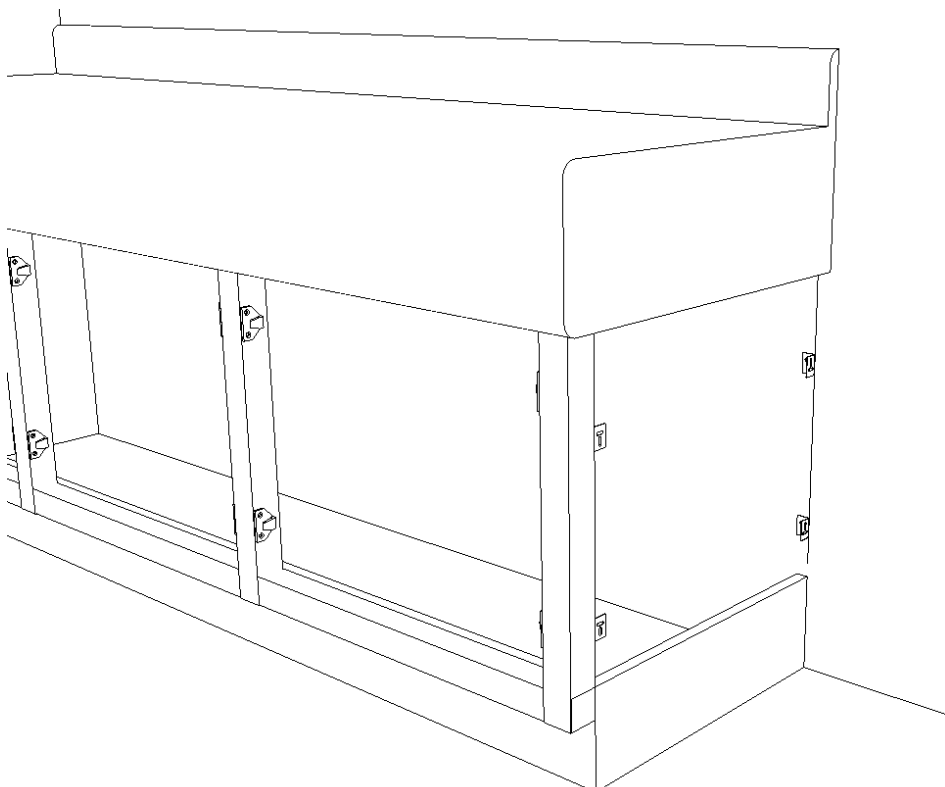


Fitting the end panel:

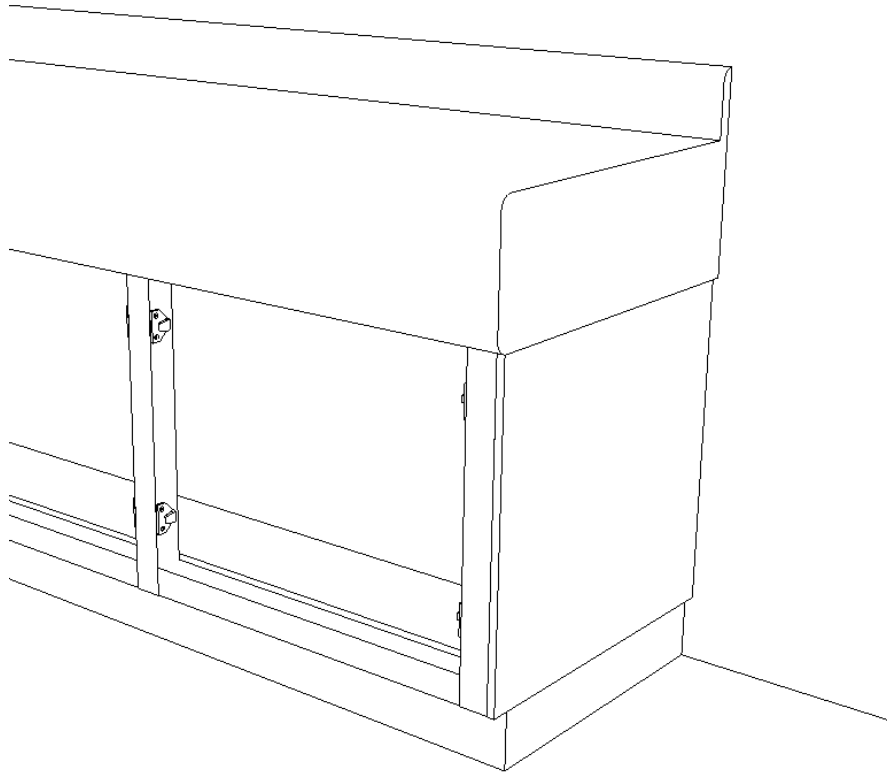
1. Cut the plinth return to length, scribe to skirting as necessary and fix using the brackets supplied.



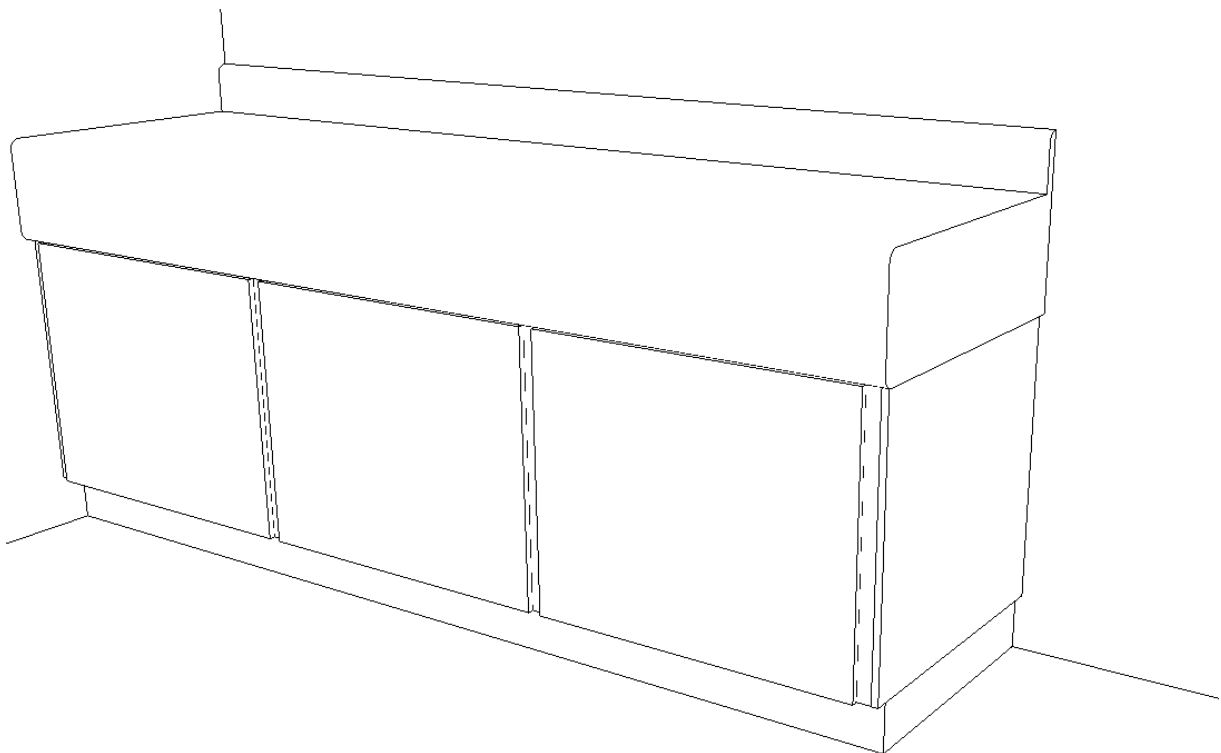
2. Fix small brackets to the wall and the frame to receive the end panel.



3. Fit the end panel to the brackets using the screws supplied. If the panels are SGL, then a pilot hole will need to be drilled. Use 3.5mm drill bit supplied.
CAUTION! Do not drill right through the panel! **Max drill depth 11mm.**



4. Refit the front panels by carefully pushing each numbered panel firmly onto its clips in the correct numbered location.



CUBICLES S3:60, K2:12 & X5:80

Assembling pilasters:

These instructions are for inward opening doors, for outward opening doors on inline cubicles:

To ensure the door does not foul the top of the pedestal, it must be fitted either:

- a) At least 60 mm (to centre of pedestal) from the edge of the door opening, or;
- b) On the inside of the pilaster.

A standard pilaster will work with an outward opening door.



For wall end pilasters, check whether the pedestal will sit neatly on the floor before drilling the fixing holes. Narrow end pilasters and a coved vinyl floor often mean that the pedestal will not sit on the floor properly.

Fittings

You will need the following pilaster packs:

CU51201H – for each pilaster fixed to a division

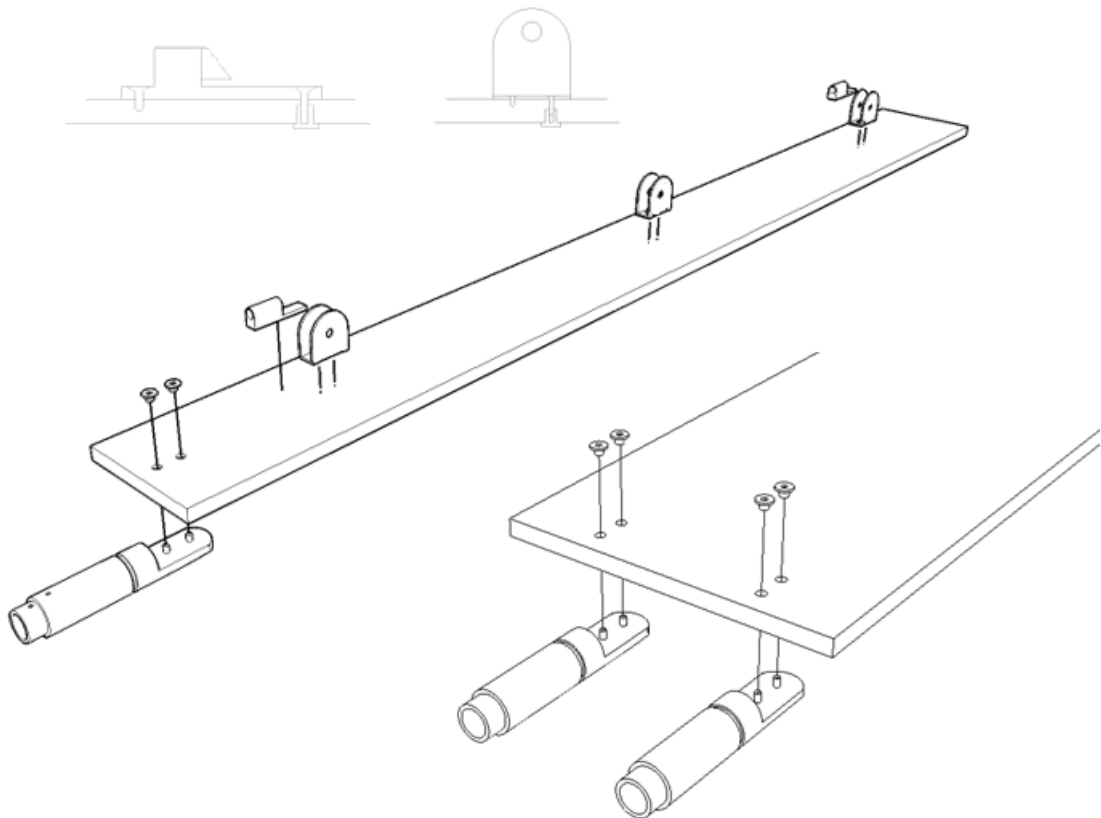
CU51202H and CU51213H – for each end pilaster fixed to the wall

S3:60 and K2:12

1. Drill holes centrally in width of pilaster for fixings.
2. Fit cleat (x3) into predrilled holes using interbolt and taptite screw provided.
3. Fit hinges (x2) into predrilled holes using interbolt and taptite screw provided.
4. Fit door buffers (x2) as required into predrilled holes using 4 x 13 mm screws.
5. Fit pedestal to holes drilled in step 1 using the fixings supplied with the pedestal.



Do **NOT** drill out or deepen any pilot holes!



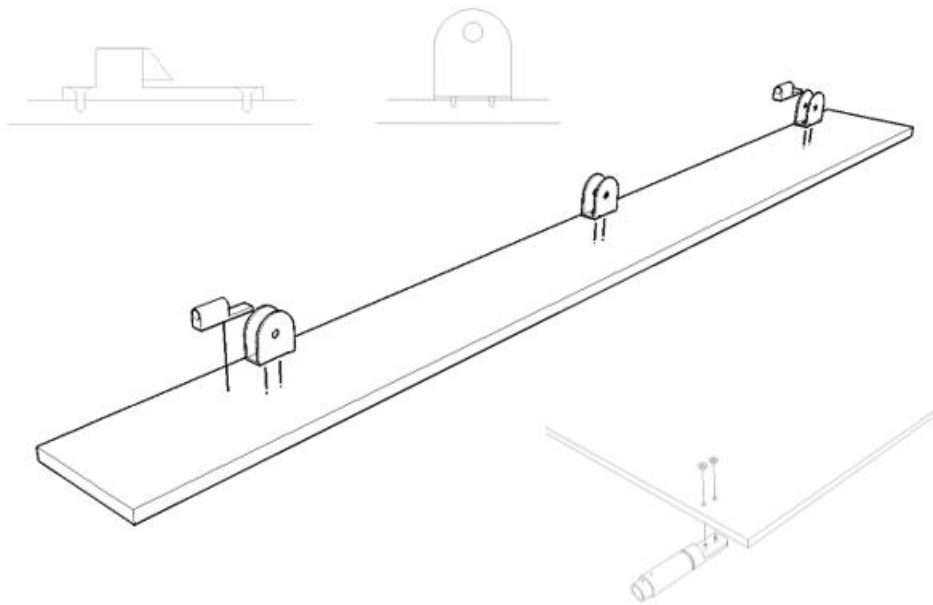
Pilasters over 300 mm wide may require two pedestals. Refer to drawings.

X5:80

1. Drill holes in division panel for pedestal fixings, **NOT** the pilaster.
2. Fit cleat (x3) into predrilled holes using screws provided.
3. Fit hinges (x2) into predrilled holes using screws provided.
4. Fit door buffers (x2) as required into predrilled holes using 4 x 13 mm screws.
5. Fit pedestal to holes drilled in step 1 using the fixings supplied with the pedestal.



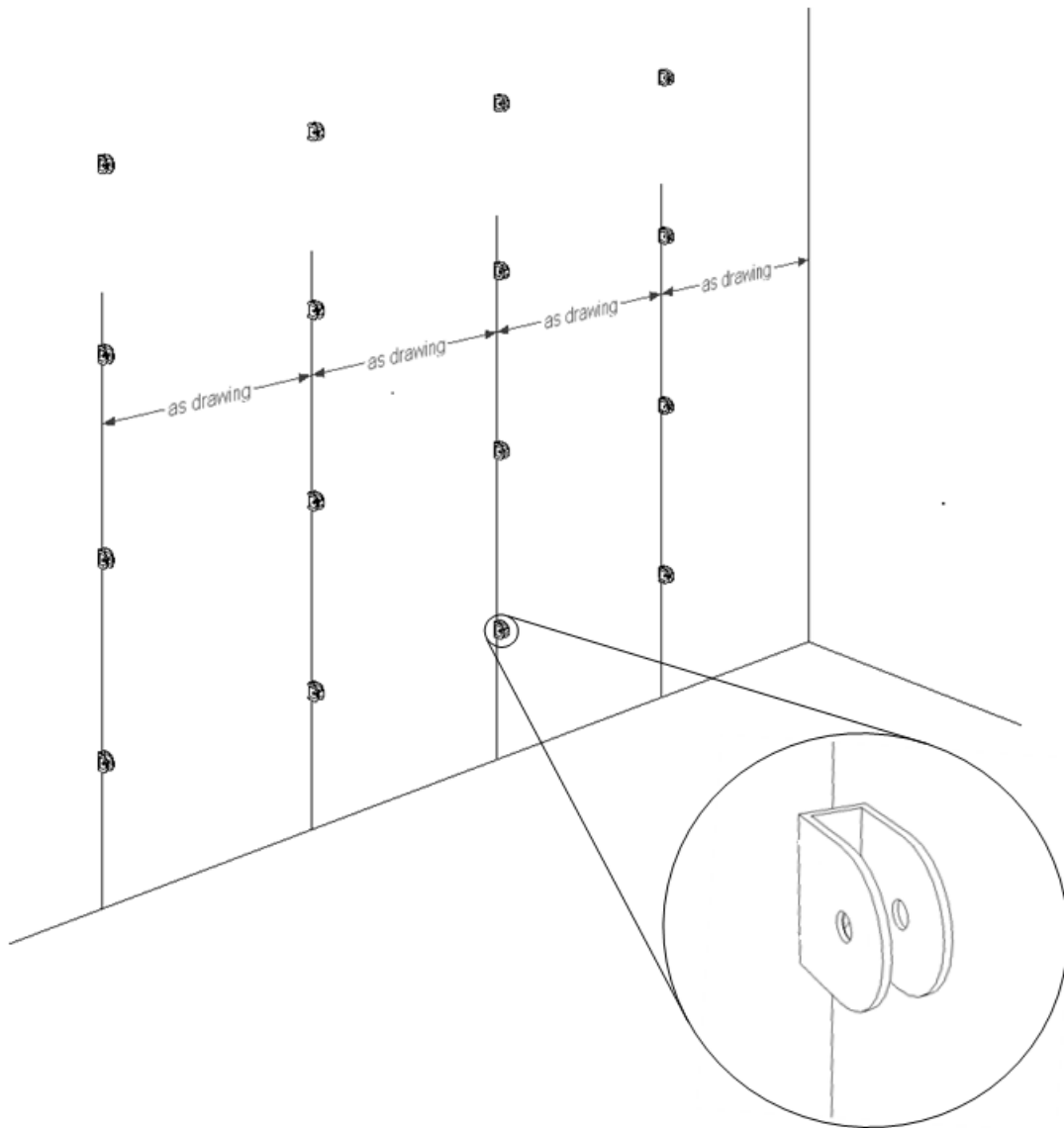
Do **NOT** drill out or deepen any pilot holes!



The pedestal **MUST** be fitted to the division and **NOT** the pilaster.

Setting out and fixing cleats:

1. Set out cubicle centres on rear wall or ductwork as per drawings and fix cleats with 5 x 50 mm countersunk screws and plugs if fixing to wall, or 5 x 25 mm countersunk screws if fixing to duct panel system. Fix at heights to match the heights of the cleats on the pilasters. (Standard heights for wall cleats: 300 mm, 1,100 mm and 1,890 mm to the top of the cleat.)

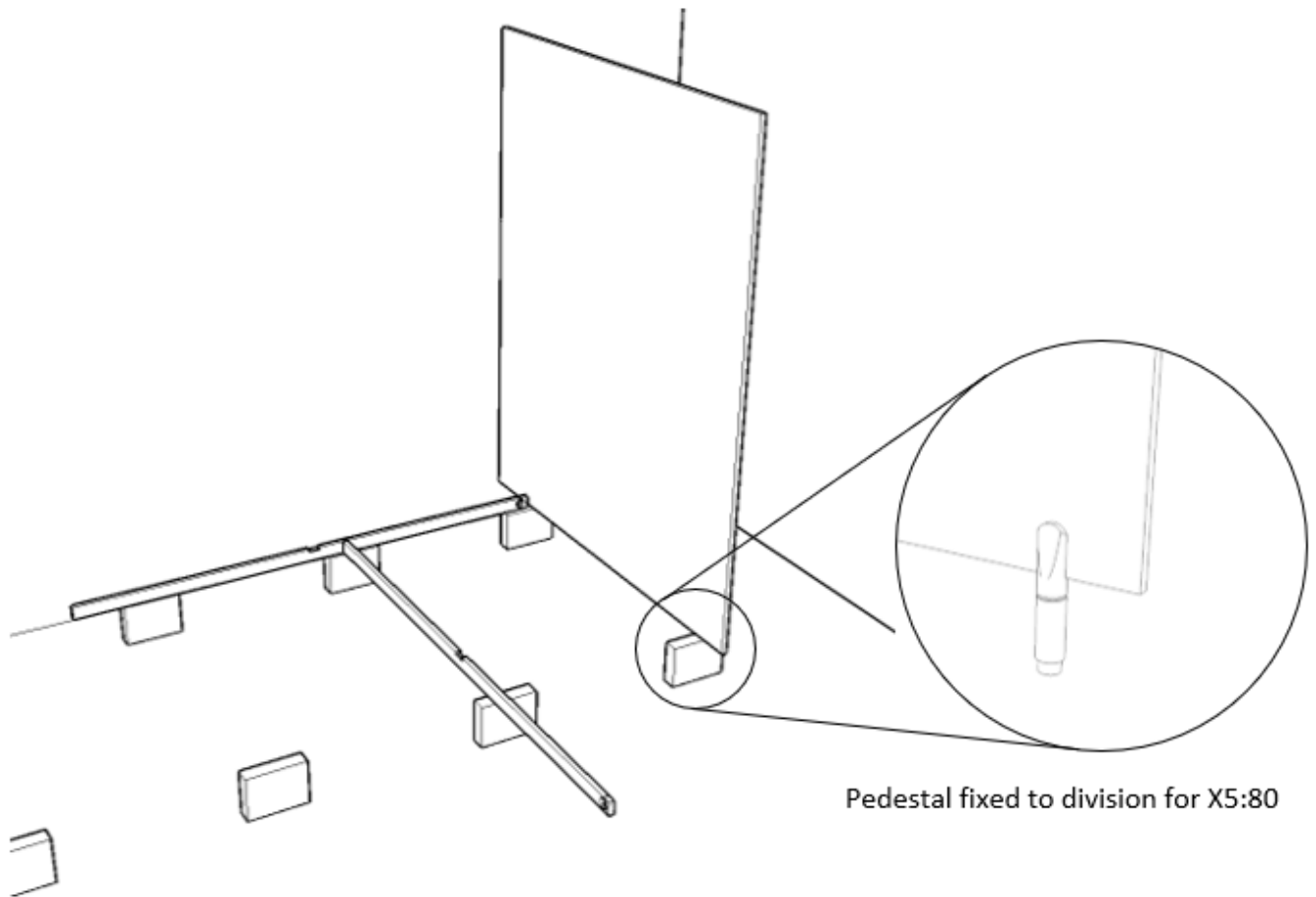


For **K2:12** cubicles with cutout panels, you will **ONLY** need the lower two wall cleats. Check drawings to confirm fixings.

Fixing division panels:

Floor Levels will need to be assessed before setting out each Cubicle Range. It is advisable to start setting out from the highest point in the room.

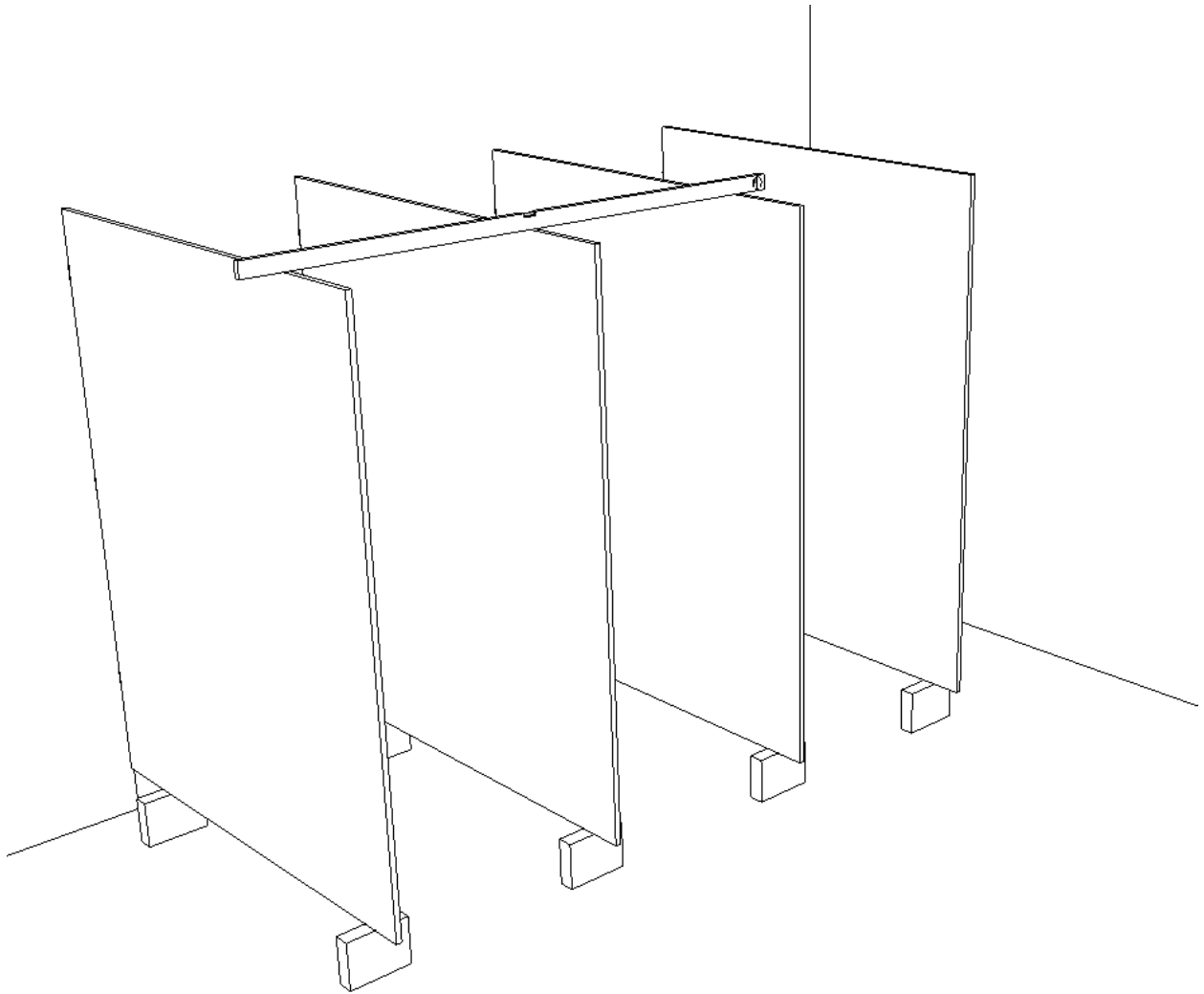
1. Offer division up to wall cleats and support with 155 mm high wooden blocks and packers as necessary to ensure the blocks are level with each other (for X5:80, the division will be supported and adjusted with the 100 mm pedestal on the division – see inset).



2. Check that the front edge of the division is plumb using packers on the wooden blocks as necessary.
3. Fix the division to the wall cleat by drilling through the cleat and the panel with the 9.5mm HSS drill bit provided. (When drilling, it is advisable to position a wooden block to the reverse face to prevent laminate breakout.)

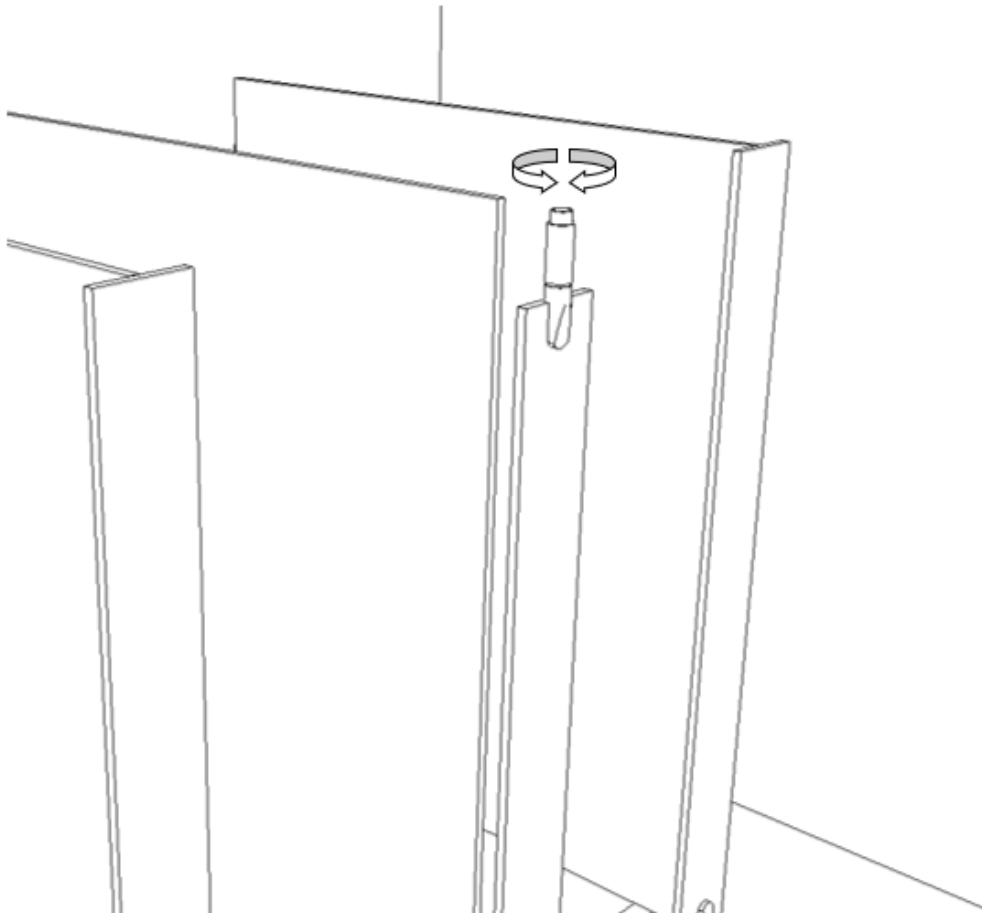


4. Insert interbolts and tighten using the Allen key provided.
5. Repeat the above operation for all other divisions checking that each division is level with the previous one and plumb on the front edge.

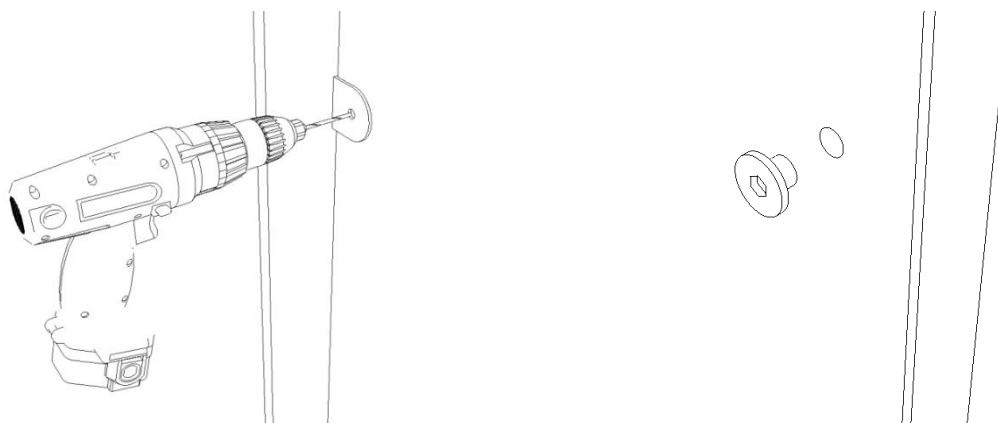


Preparation for fixing pilasters:

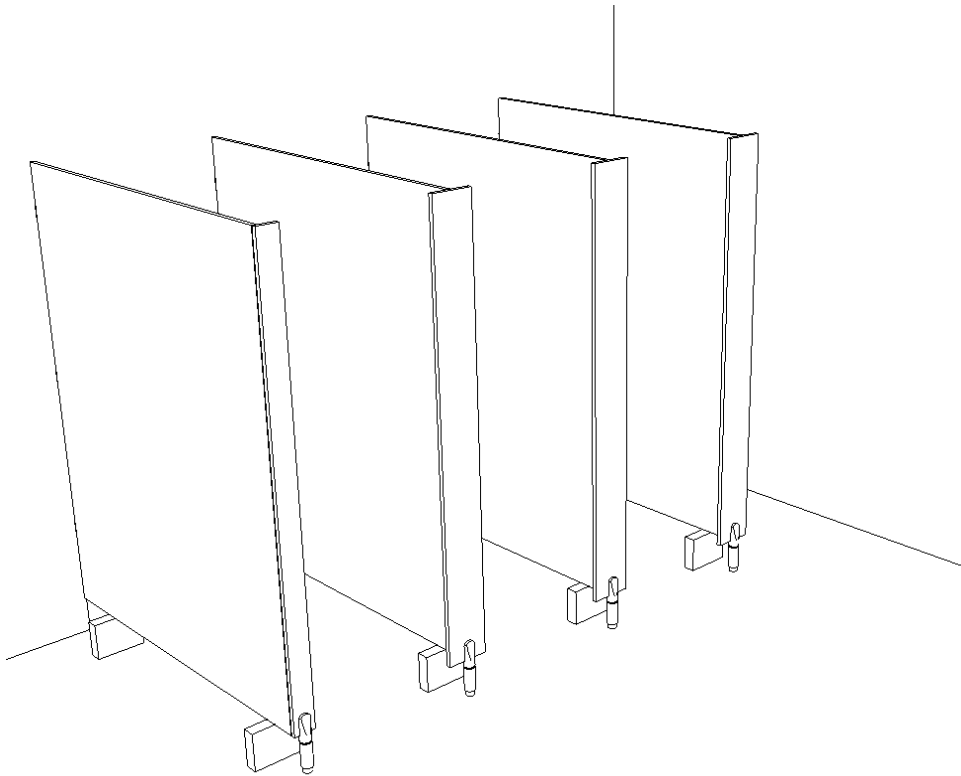
1. Stand first pilaster upside down (pedestal uppermost) in front of the first division (numbered to correspond with drawing)
2. Wind out foot until top of pilaster is level with the top of the division panel. Lock adjustable foot by tightening the upper grub screw.



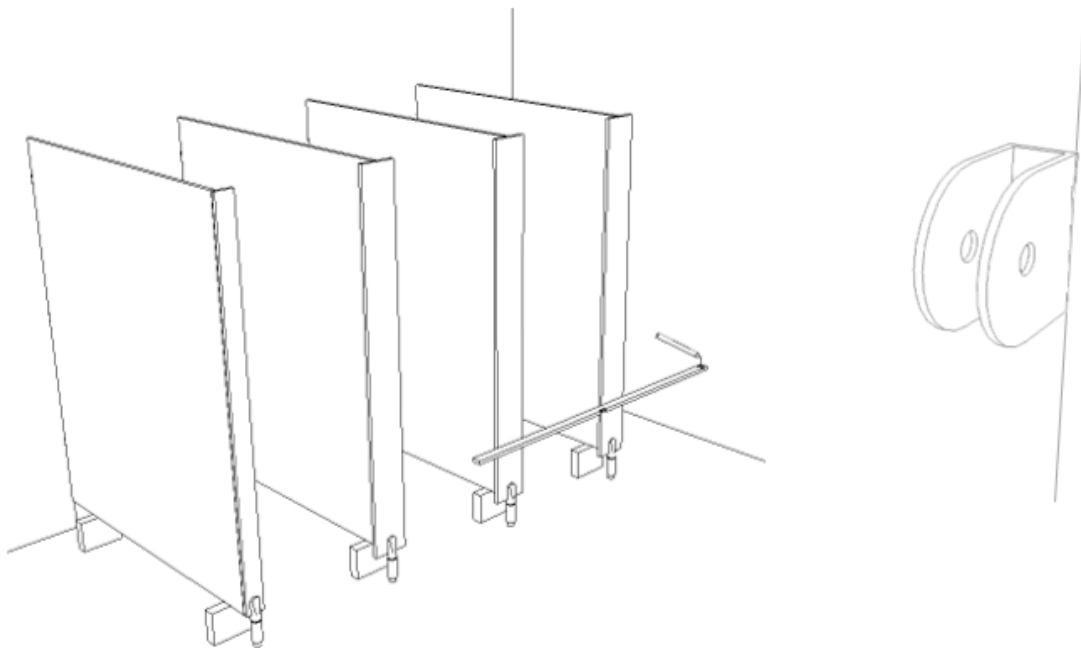
3. Turn the pilaster the right way up, and place in position on front of division.
4. Drill **centre cleat hole only**, using 9.5 mm drill and insert interbolt – this only needs to be finger-tight.



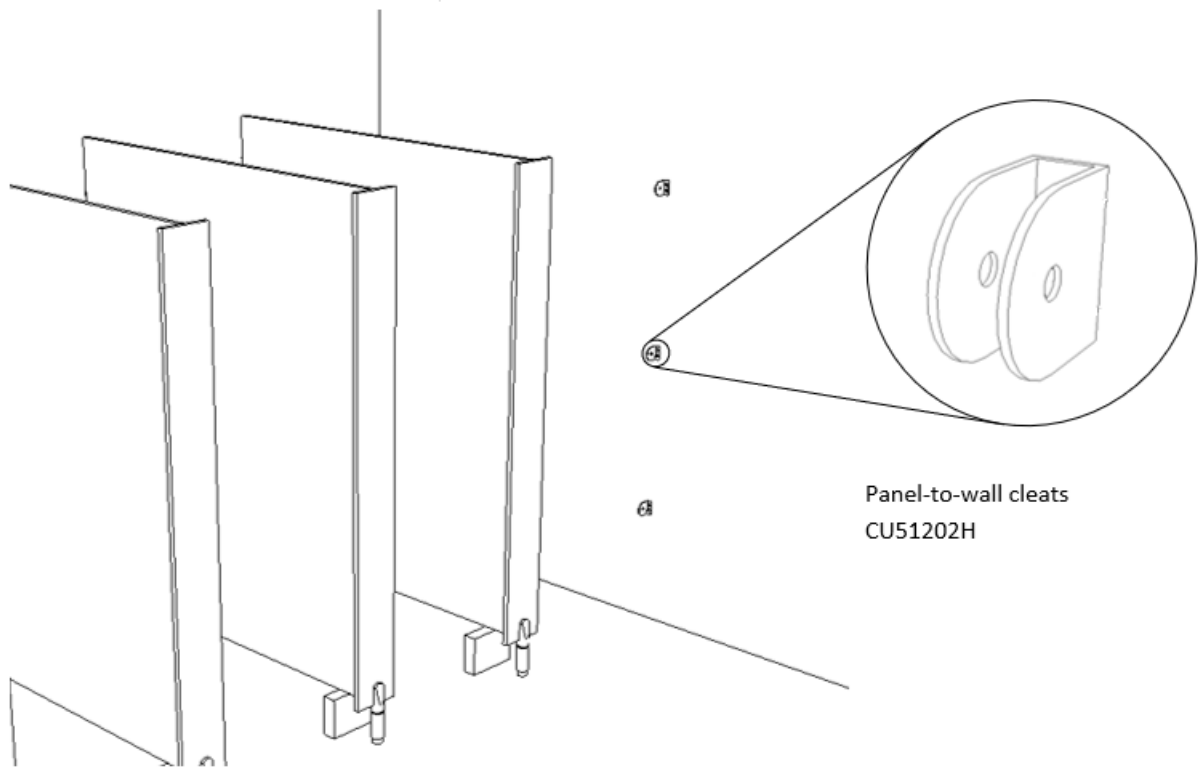
- Repeat this process for each division panel.



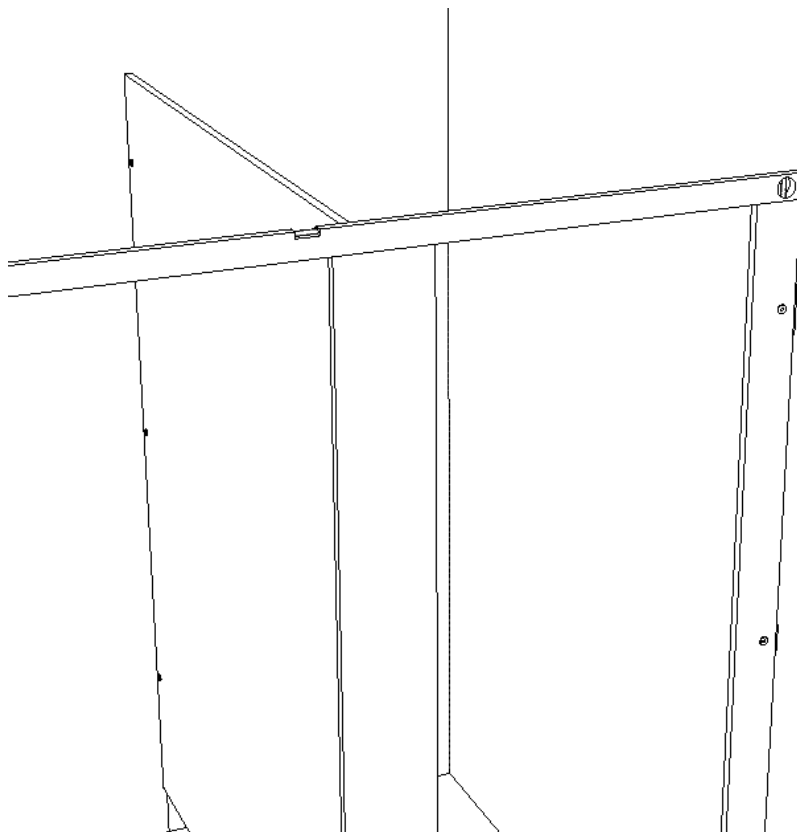
- Mark up for cleats to hold end pilasters, using a straight edge across the front of the other pilasters, ensuring that the pilaster is pushed against the division, as per diagram below. Check wall cleats are plumb. This line will represent the **outside edge of the pilaster panel** not the fixing centre line – see cleat diagram below. Follow steps 1-4 above to position the end pilaster.



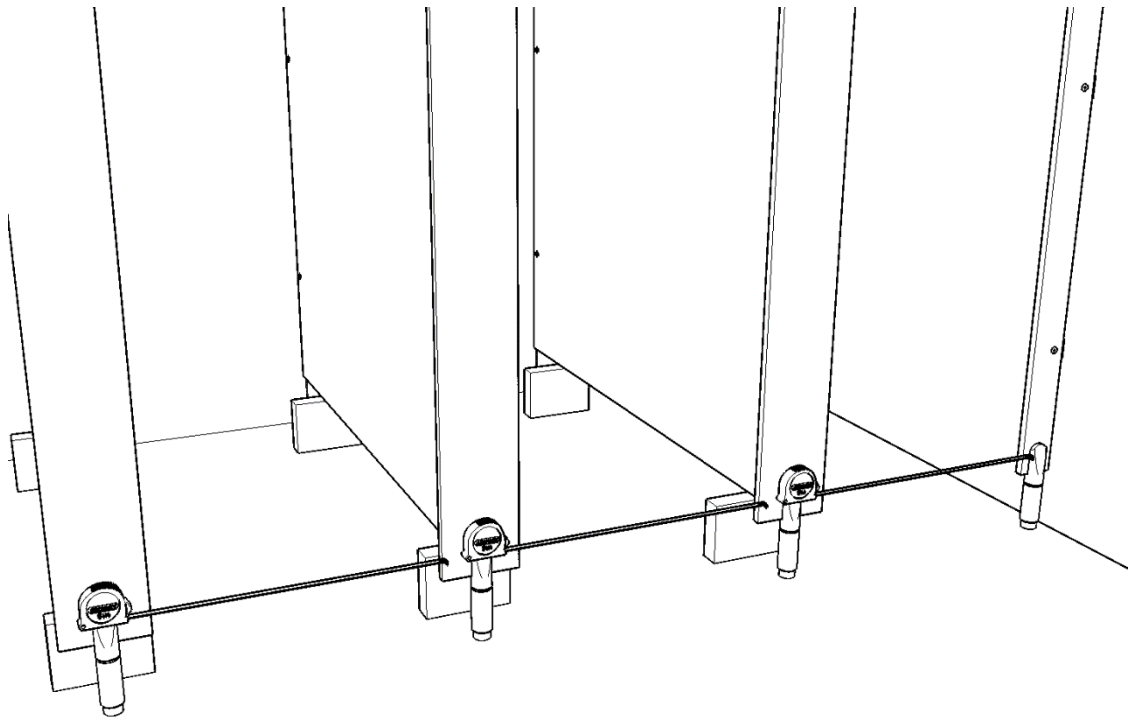
7. Fix the three wall cleats using appropriate wall fixings at the same heights as all the other cleats, so that the end pilaster is in line with the other pilasters.



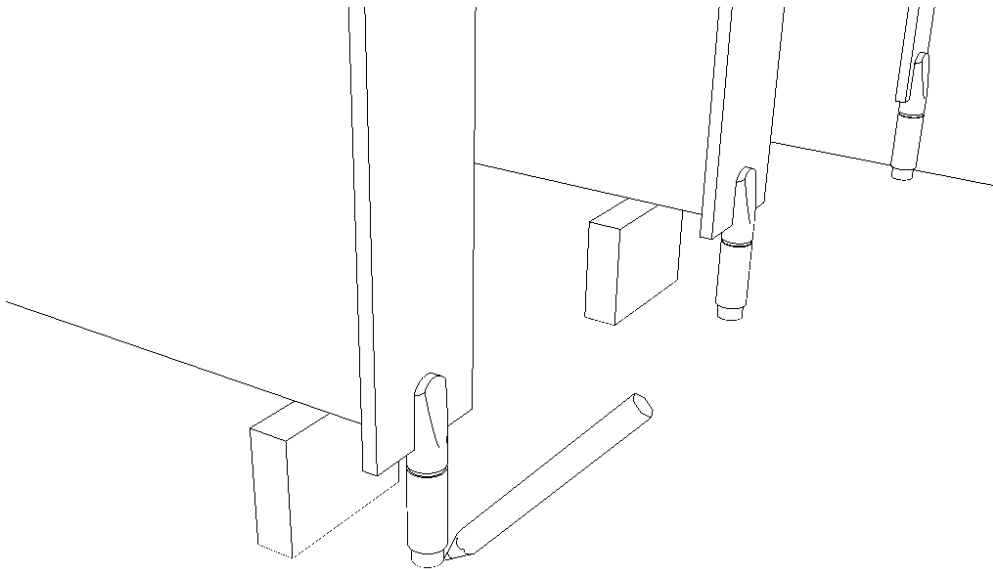
8. Fit the end pilaster using the same process as above, and make sure it is level with the next one.



9. Equalise the door openings (as detailed on the layout drawings) by measuring the opening near the bottom of the pilasters and adjusting the position of each pilaster till all the door openings are equal.



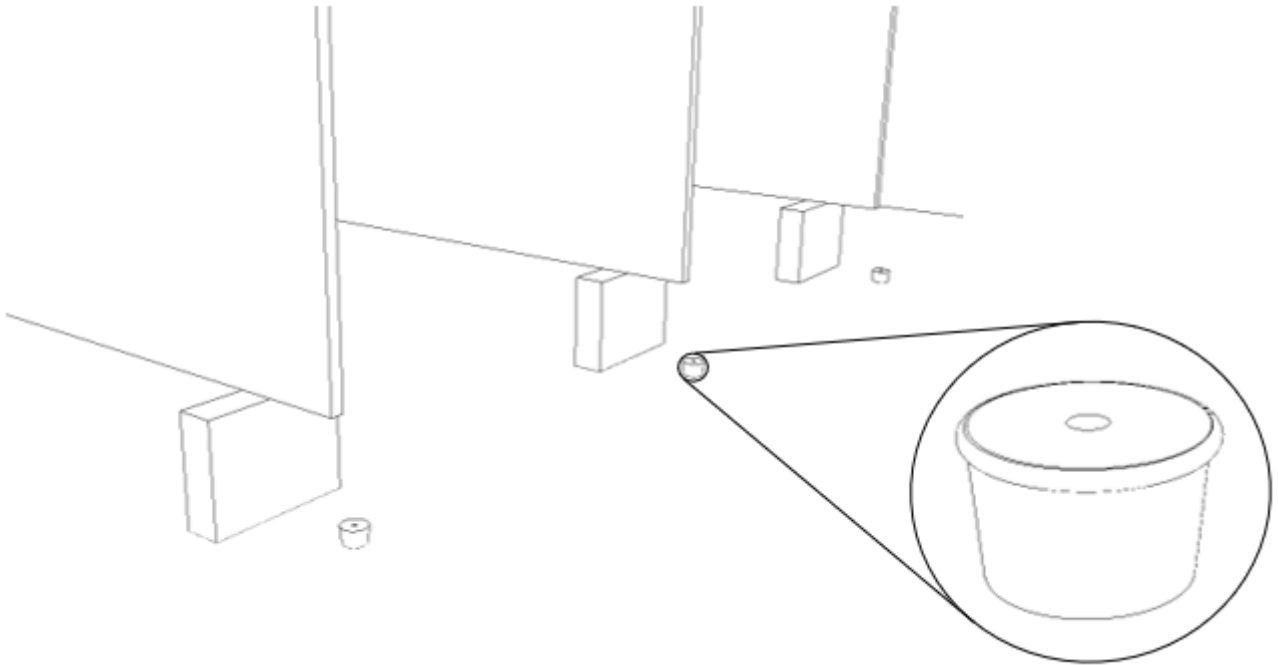
10. Mark the floor around each pedestal using a pencil, ensuring that the pilaster is pushed against the division.



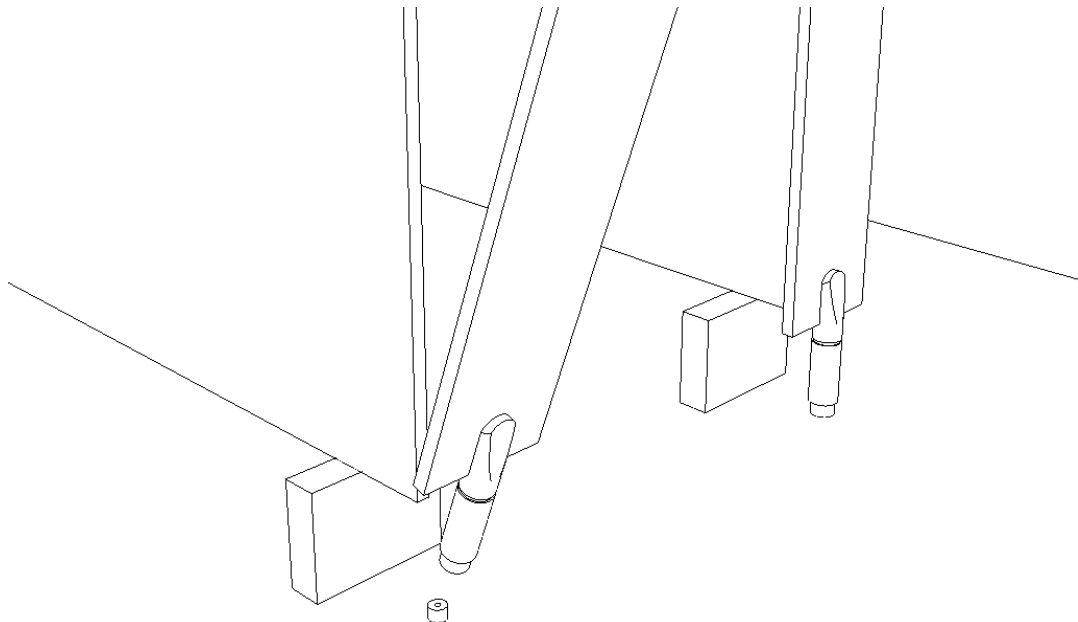
11. Remove the pilasters from the division panels by releasing the central interbolt and set aside.

Fixing pilasters:

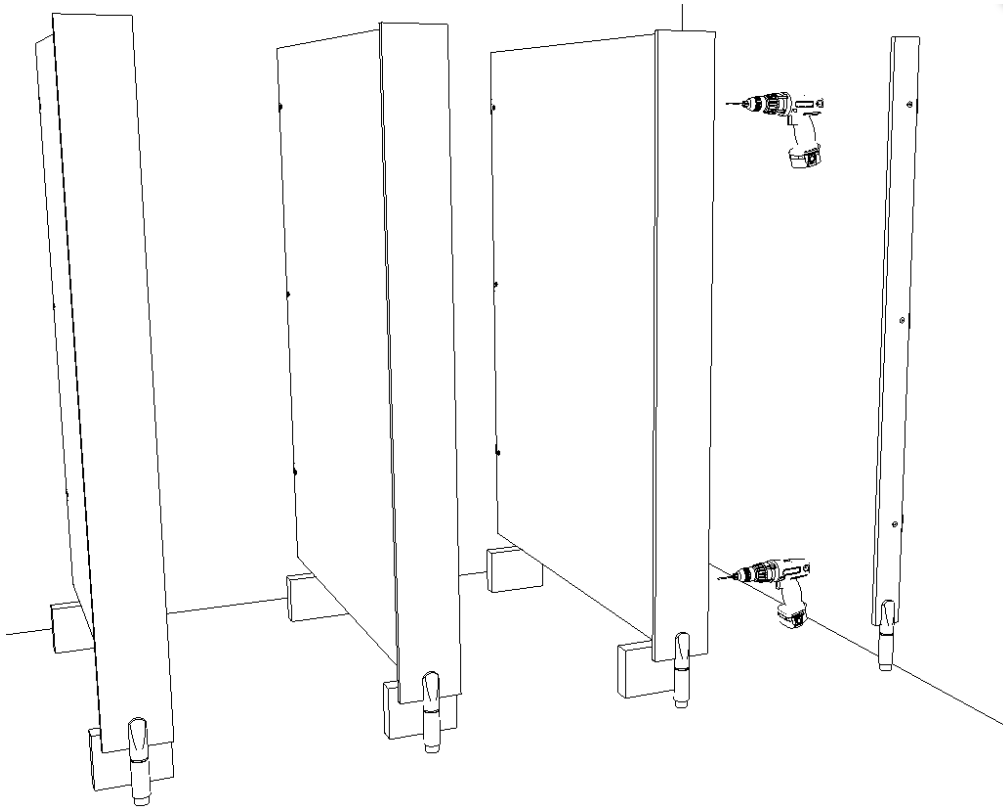
1. Drill floor fixing holes in the centre of each mark on the floor and fix the locator plug to the floor.



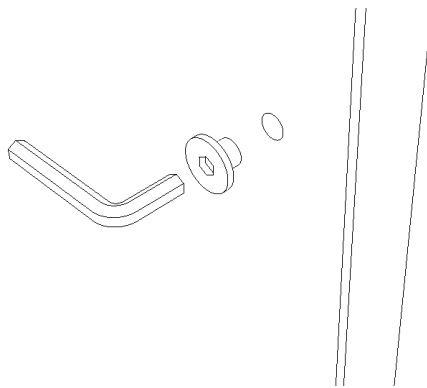
2. Stand pilasters over the locator plugs. Replace interbolt through the central pilaster.



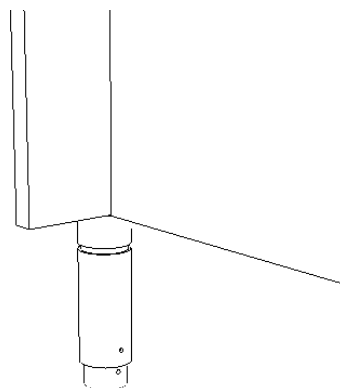
3. Drill remaining interbolt holes making sure that each pilaster is pushed tight against the division panel.



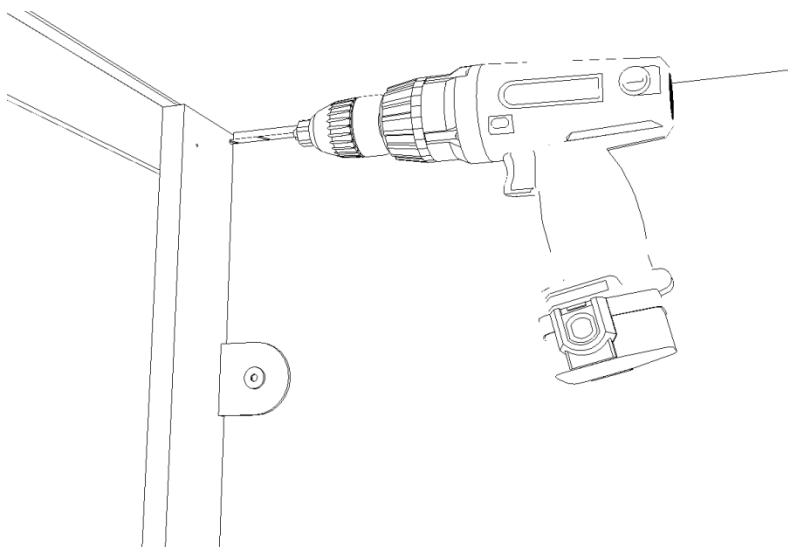
4. Insert all interbolts and tighten.



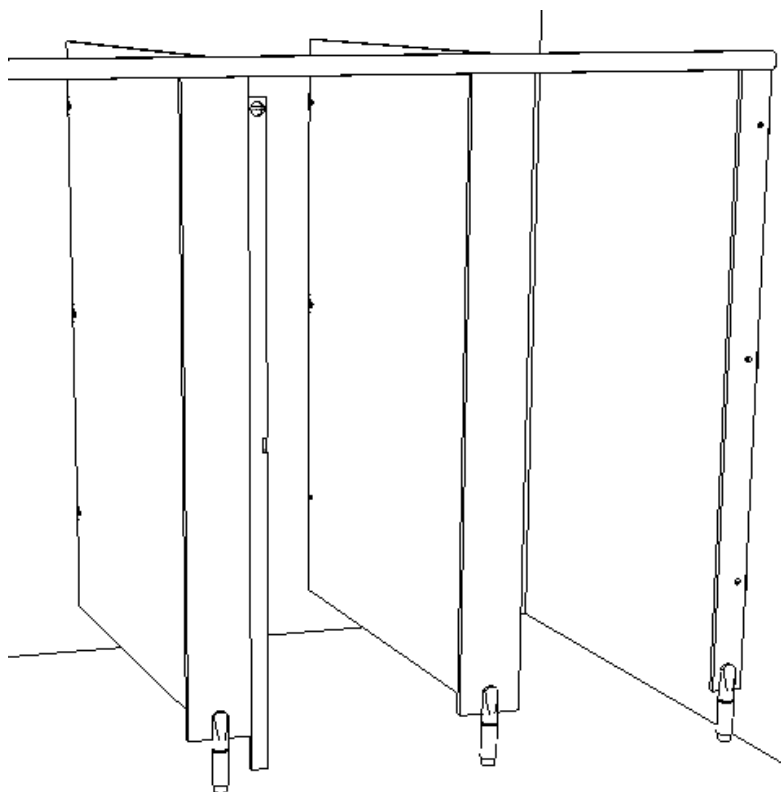
5. Fix pedestal to locator plug by tightening the lower grub screw.



6. Cut head rail exactly to length. Offer up and clamp headrail to **wall end pilaster(s)**. Drill through headrail screw holes in **end pilasters** from inside the cubicle and just into the headrail, using 3.5 mm drill bit.

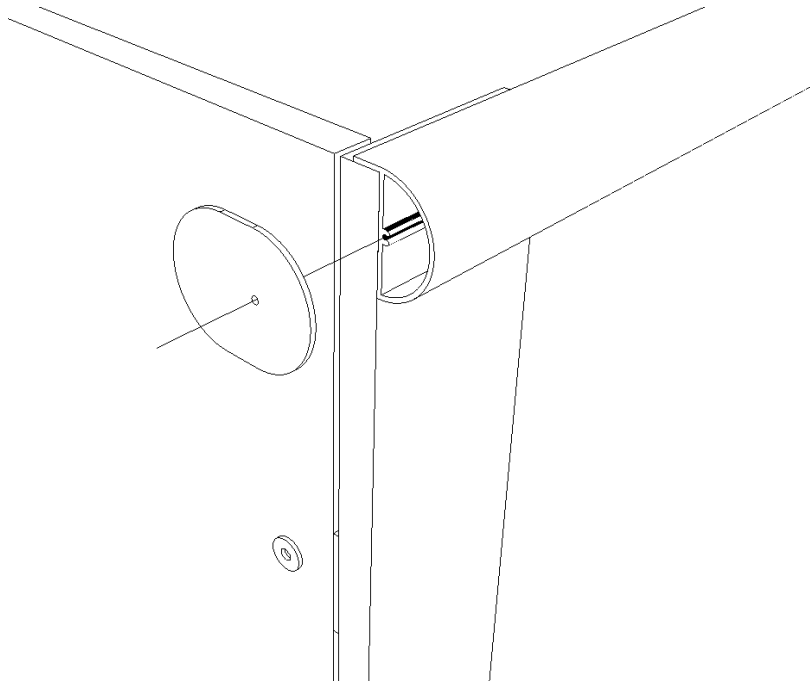


7. Fix with 4 x 30 pan-head self-tapping stainless steel screws included in the Pilaster fitting pack.
8. Adjust each centre pilaster so that it is vertical and then it clamp to the headrail. Drill and fix pilaster to headrail as above.

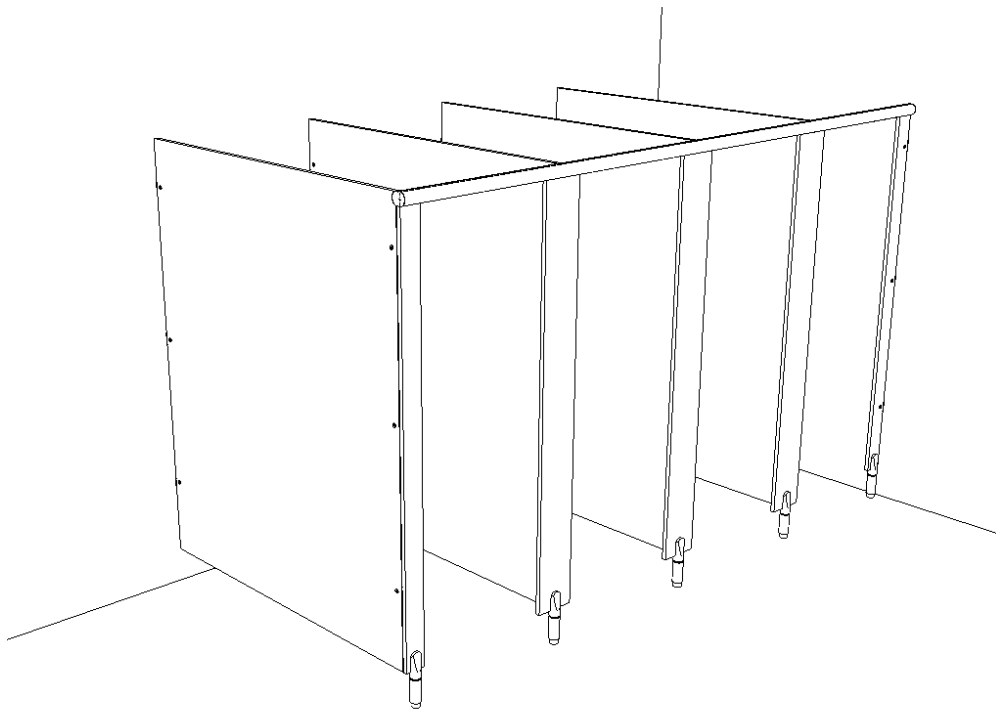


9. Repeat for each pilaster.

10. Fix head rail end cap(s) where required.



14. Your cubicle range should look like this.



Fixing doors:

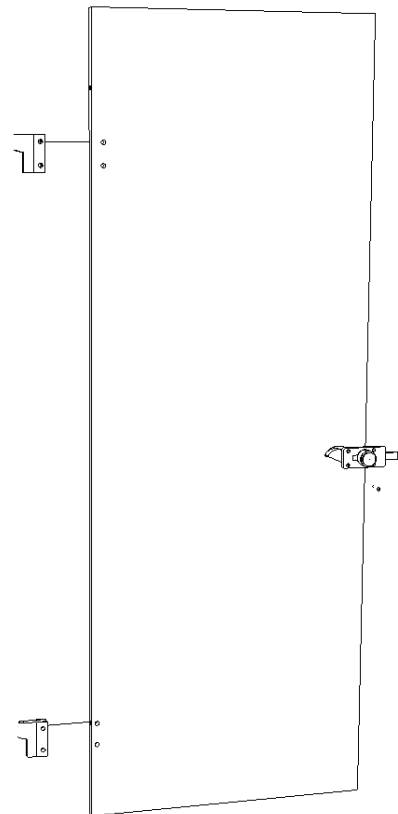
1. Assemble the cubicle door lock



For inward opening doors use fitting pack **CU51202H**, with long end of shoot bolt into keep.

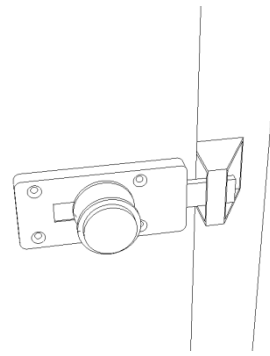
For outward opening doors use fitting pack **CU51204H**, with short end of shoot bolt into keep.

2. Fit the hinges to the door using the interbolts provided.
3. Hang the doors. The plastic insert in the hinge assembly can be set to make the doors fall open or fall closed. Make sure the plastic inserts are all facing the same direction.
4. Standing inside the cubicle when the door is shut, check that the lock is level and fix the top of the indicator bolt using the screws provided. Drill a pilot hole using 3.5 mm drill bit supplied.
CAUTION! Do not drill right through the door!
Max depth 11 mm.

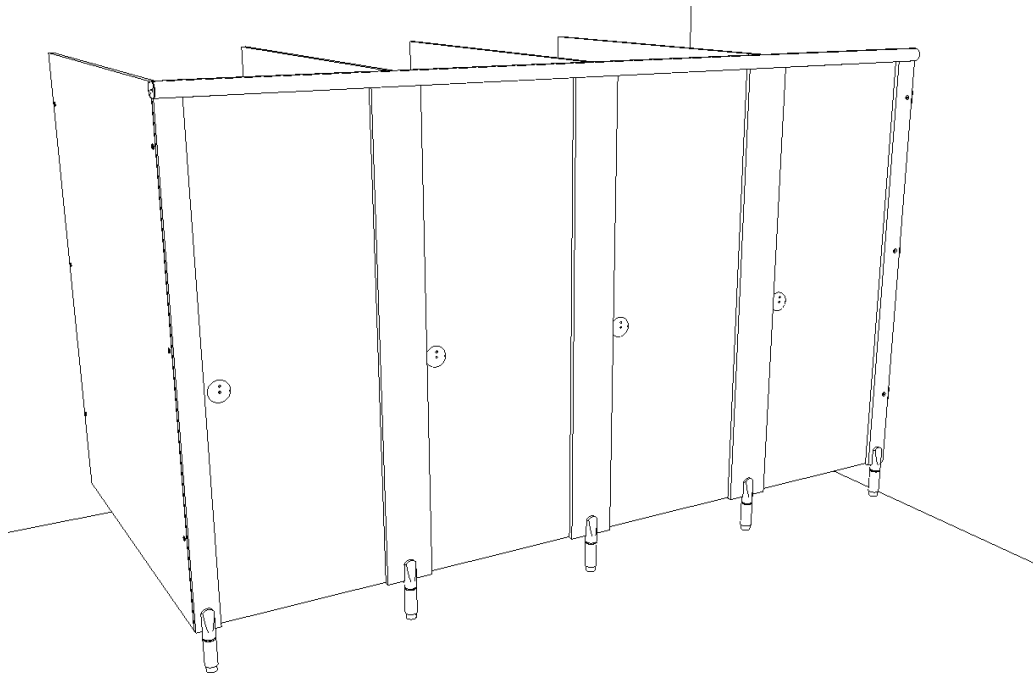


5. Mark the position of the keep onto the pilaster, leaving at least a 4 mm gap between the open position of the bolt and the keep. Drill the large hole with a 10 mm bit right through the panel (using a block of timber on the far side to prevent breakout) and drill the small hole with a 5 mm bit only 8 mm deep.

WARNING: Do not drill right through the panel!



6. Your cubicle range should now look like this.



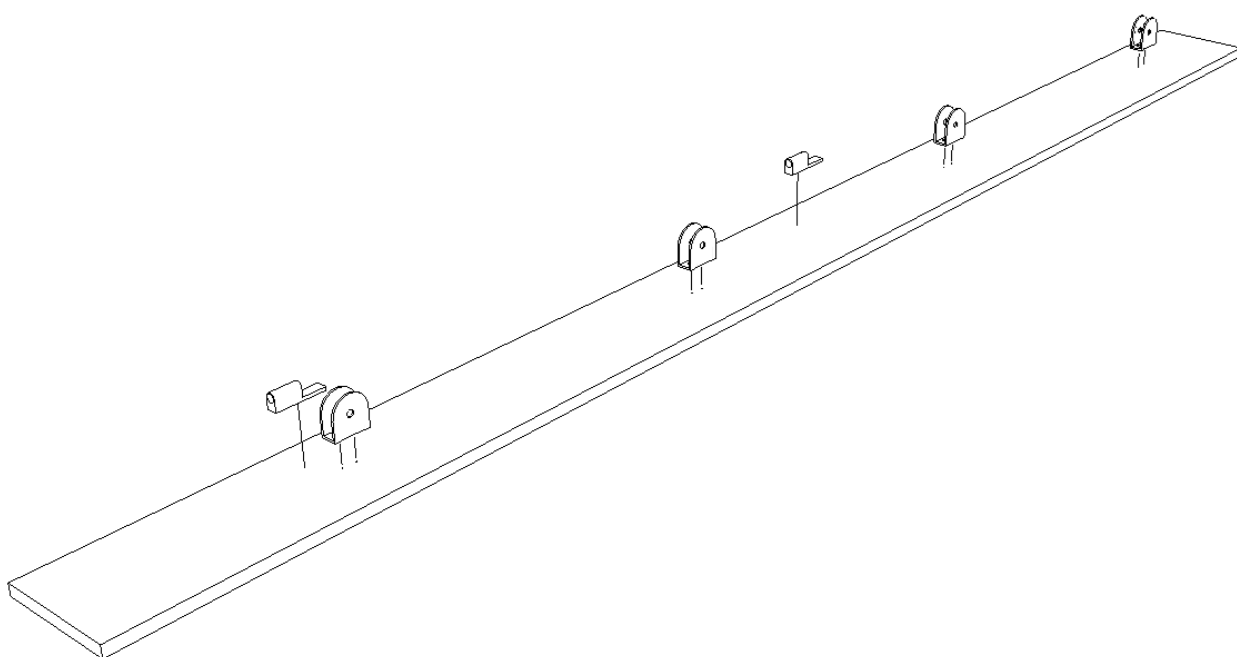
Fixing accessories:

1. Finally, fix toilet roll holders to partitions (back-to-back for strength) and fix coat hooks to division panels (not the door) in clear swing of the door.
2. Check that all fixings including interbolts and pedestal adjustment screws are secure.

CUBICLES T1:90

Assembling pilasters:

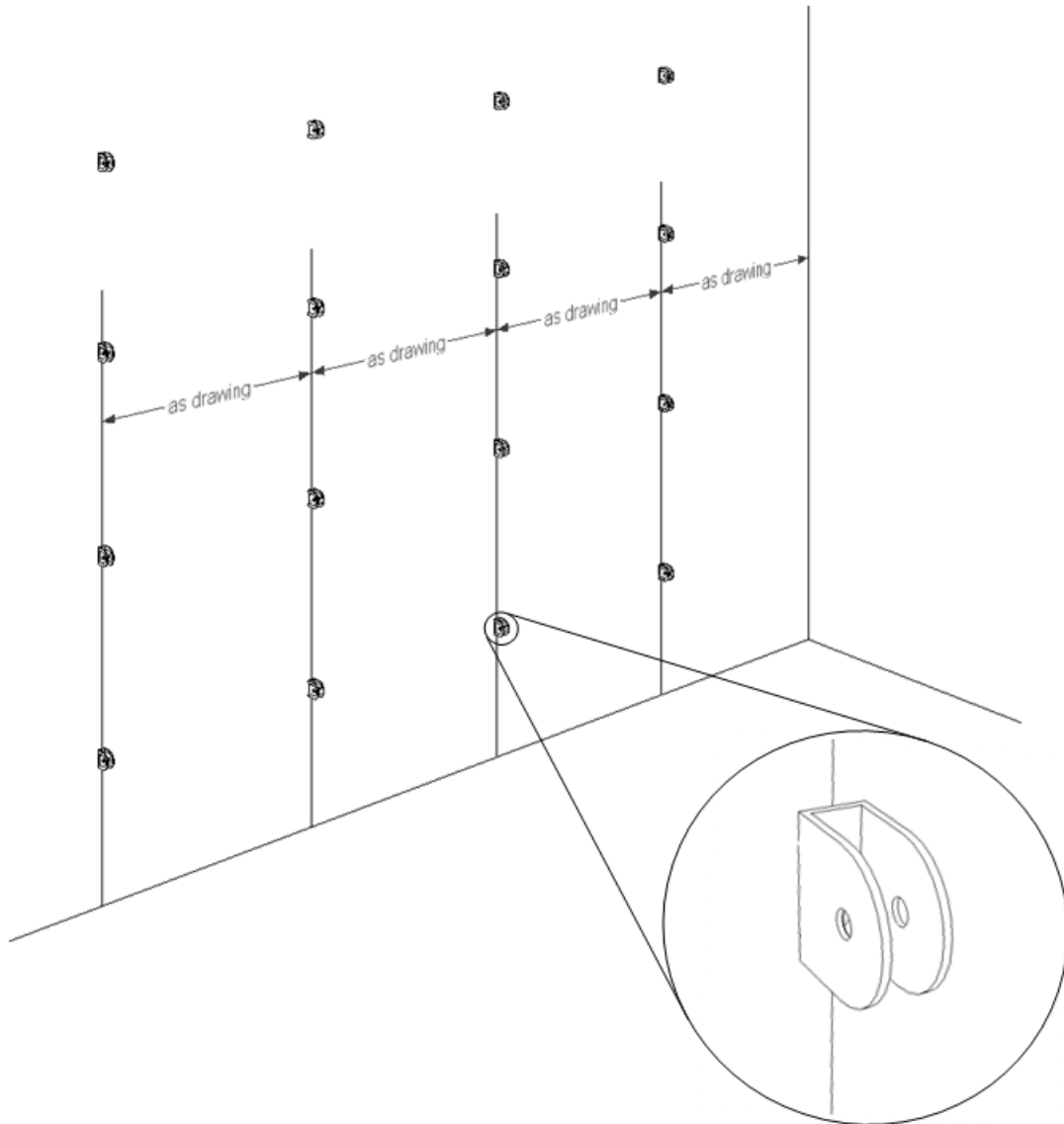
1. Fit hinges (two for standard height or three for full height) into predrilled holes.
2. Fit cleats (four) into predrilled holes using screws provided.
3. Fit door buffers into predrilled holes using the screws provided



Do **NOT** drill out or deepen any pilot holes!

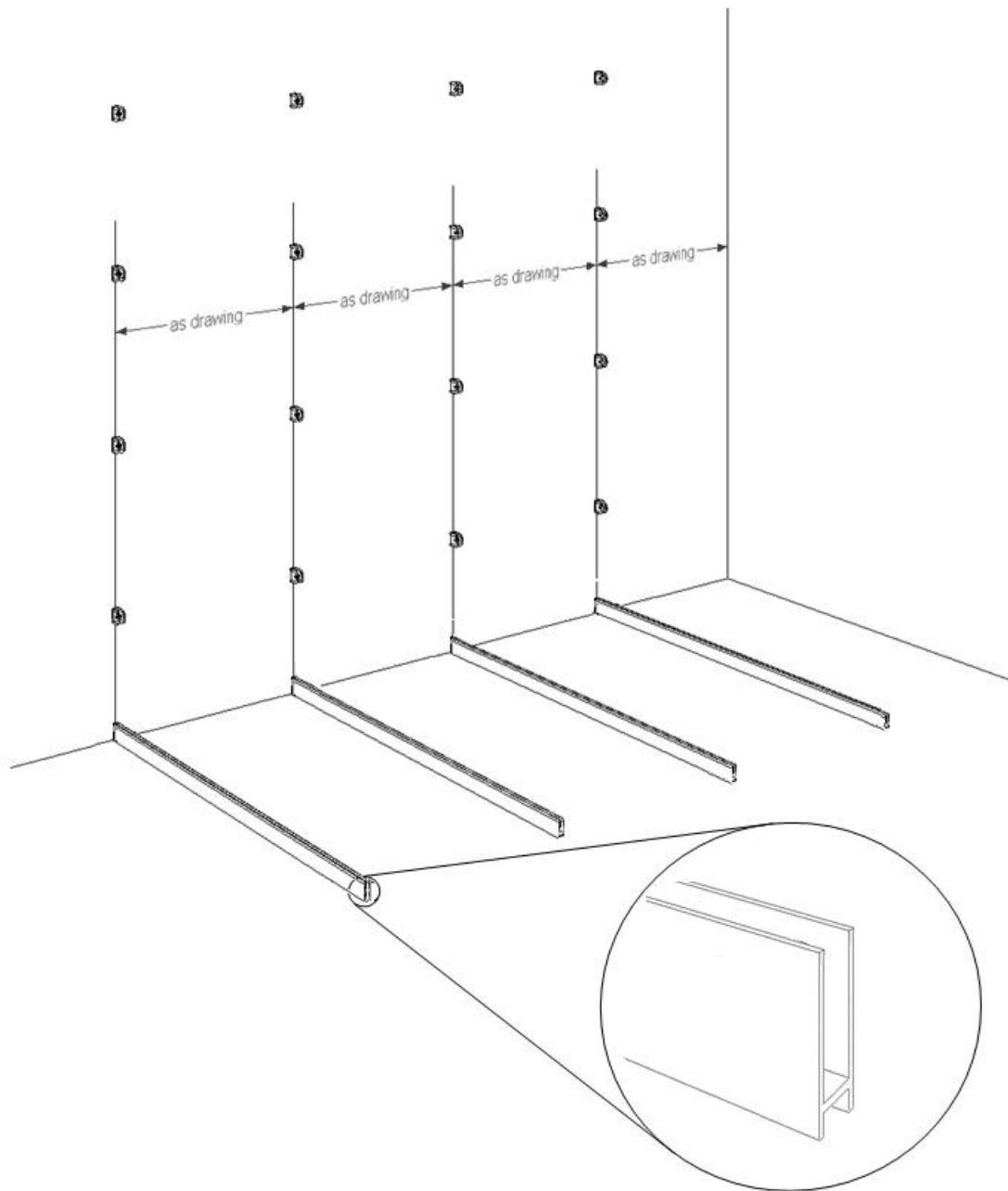
Setting out and fixing cleats and floor channel:

1. Set out cubicle centres on rear wall or ductwork as per Focus drawings and fix cleats with 5 x 50 mm countersunk screws and plugs if fixing to wall, or 5x25 countersunk screws if fixing to duct panel system. Fix at heights to match the heights of the cleats on the pilasters.



2. Cut floor channel to length.
3. Position floor channel with predrilled hole at the front.

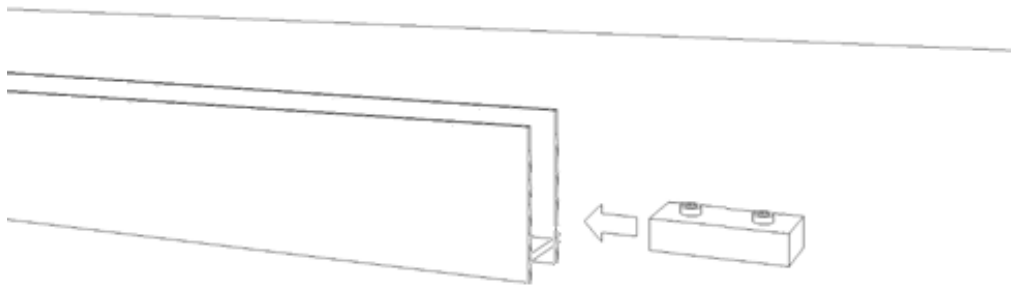
4. Fit the floor channels in line with the setting out for the wall cleats, making sure they are square to the wall, equally spaced and parallel to each other. Secure to the floor with at least two screws.



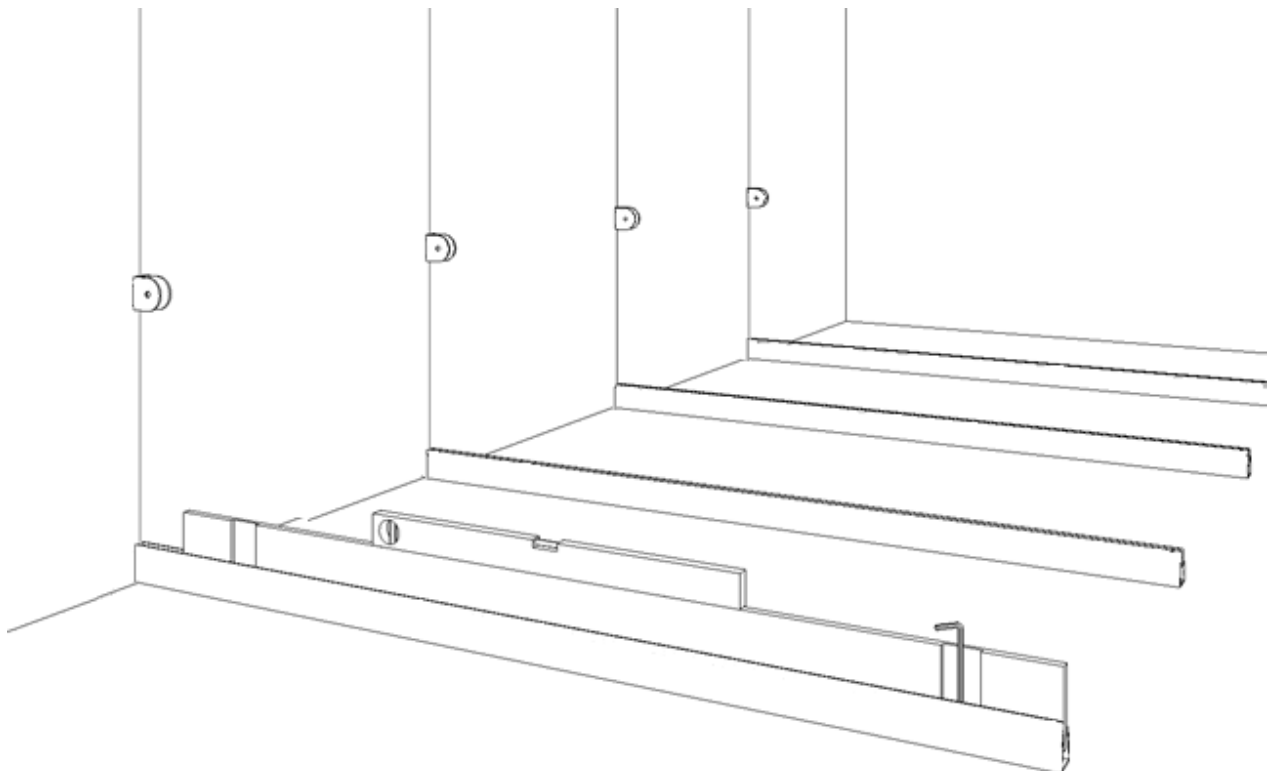
Fixing division panels:

Floor Levels will need to be assessed before setting out each Cubicle Range. It is advisable to start setting out from the highest point in the room.

1. Insert levelling blocks, one near the front and one to the rear.

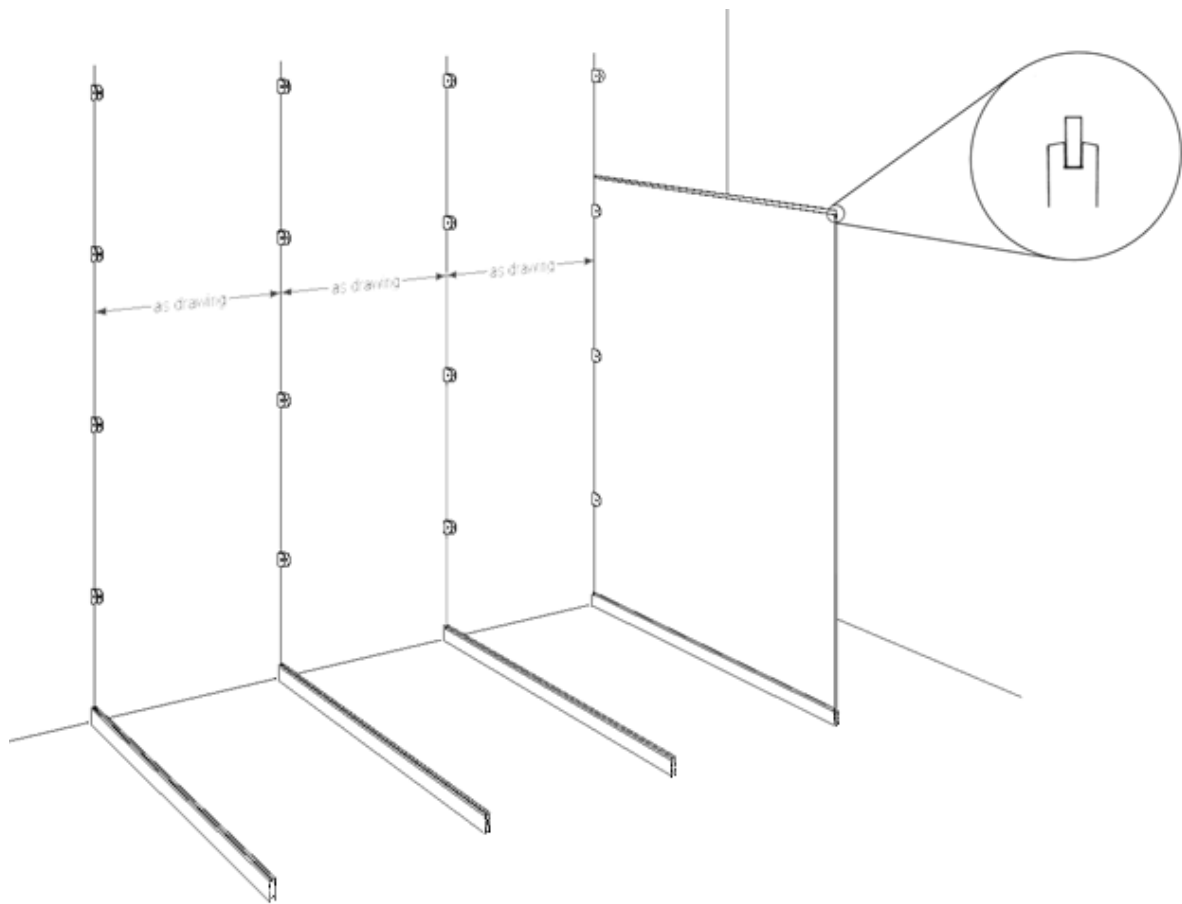


2. Place levelling tool into the channel and adjust the levelling block grub screws using Allen key provided, until the blocks are level. Double check that the remaining ceiling height (allowing for the levelling tool) matches your division panel size (see drawings supplied with the product).



3. Remove the levelling tool and place the division into the floor channel.

4. Push the division up to wall cleats and...

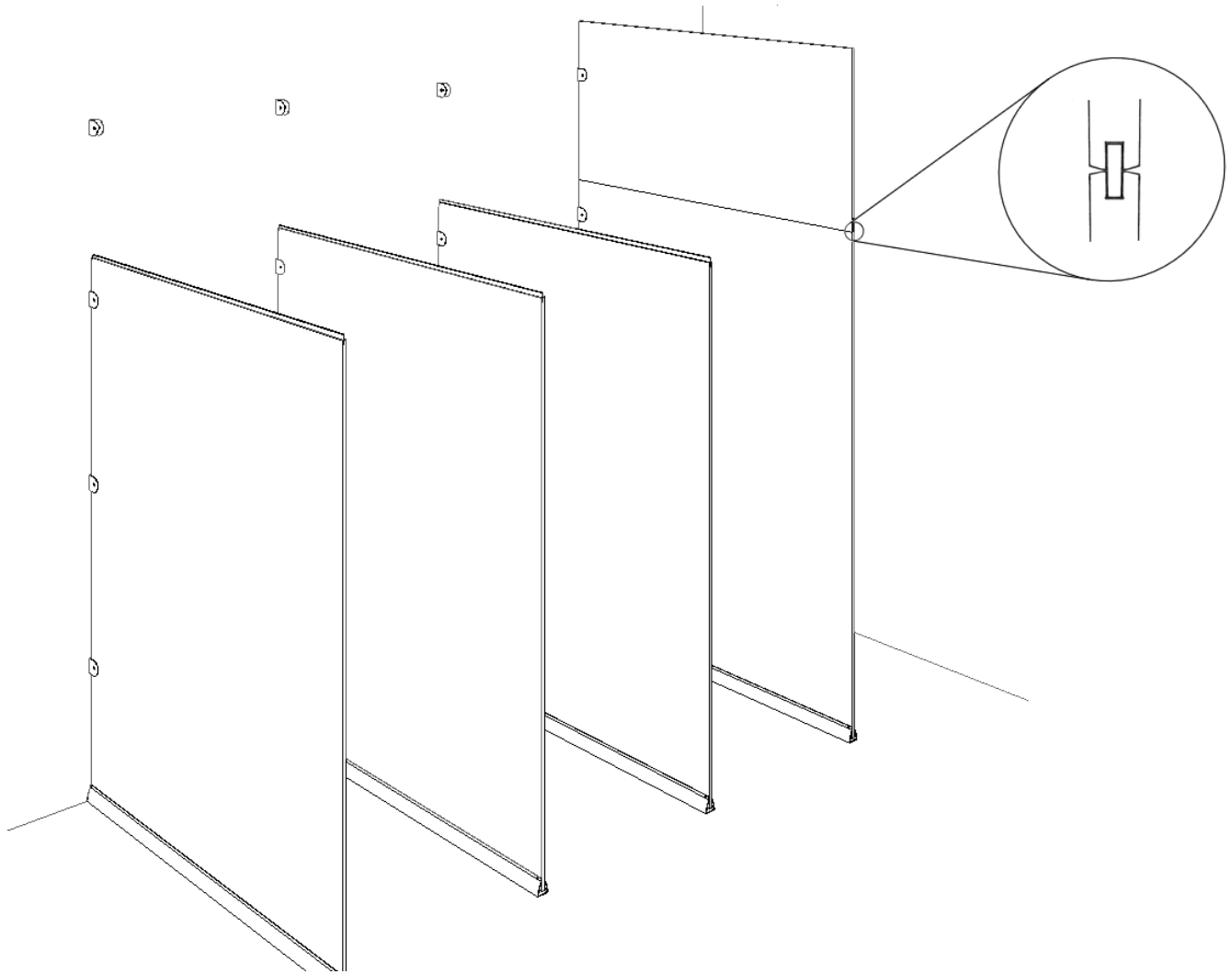


5. ...check that the front edge is plumb.
6. Fix the division to the wall cleats by drilling through the cleat and the panel with the 9.5mm HSS drill bit provided. (When drilling, it is advisable to position a wooden block to the reverse face to prevent laminate breakout.)



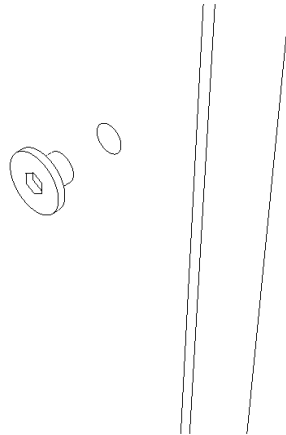
7. Insert interbolts and tighten using the Allen key provided.
8. Repeat the above operation for all other divisions checking that each division is the correct distance from the ceiling, and the front edge is vertical.

9. When you are satisfied that all the divisions are correctly positioned, drill through the division panel at the front end of the floor channel and secure with an interbolt.
10. Lift the division over panel into position and secure to top cleat.
11. Fit remaining interbolts.

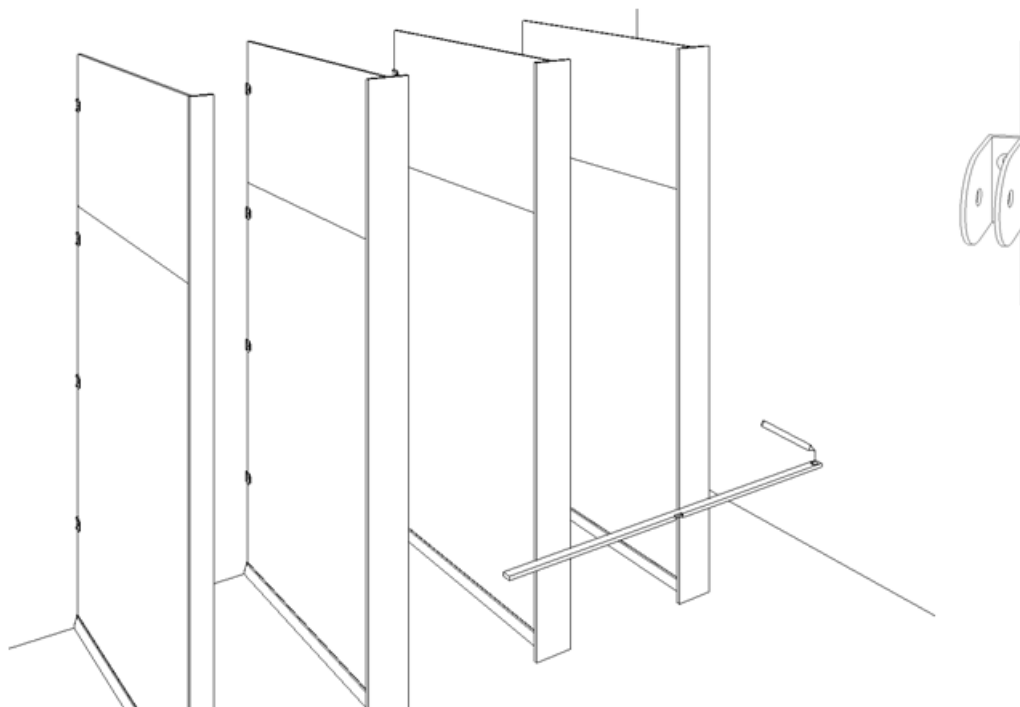


Fixing pilasters:

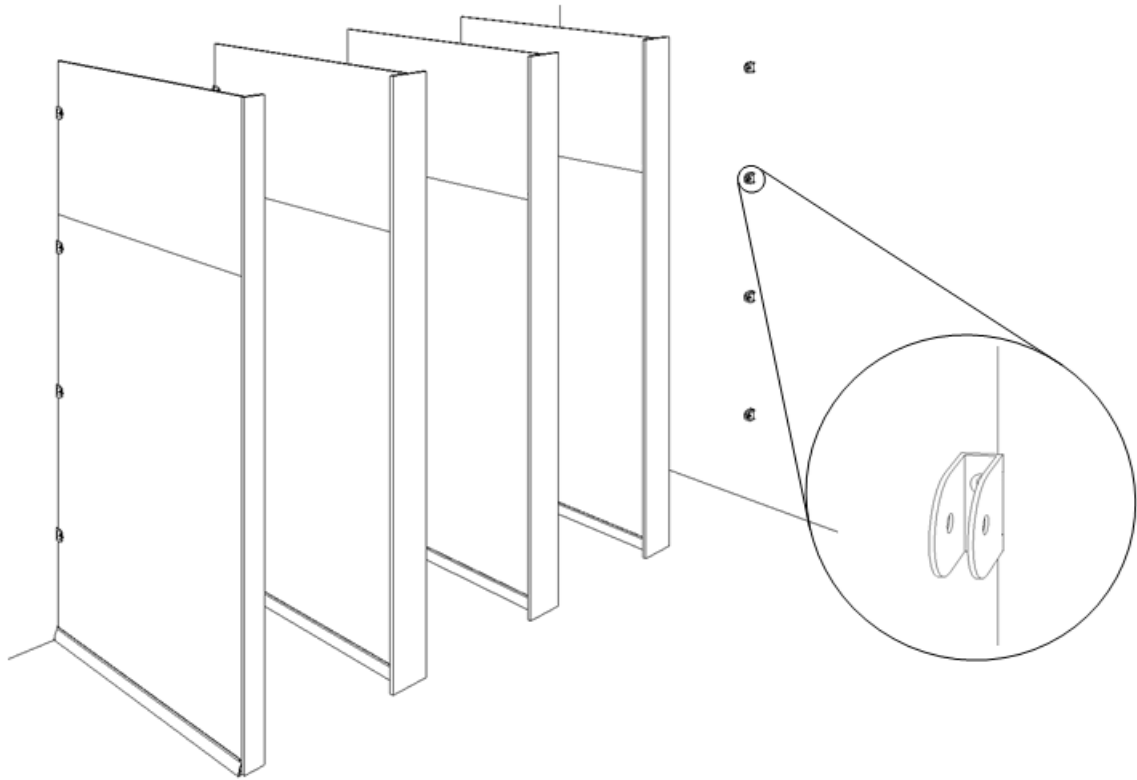
1. Place pilaster in position on front of division.
2. Insert wedge or packers under the pilaster to raise it off the floor slightly, making sure you have 5mm gap between the top of the pilaster and the ceiling for the headrail.
3. Drill cleat holes through division panel, using 9.5mm drill and insert interbolts.
4. Repeat this process for each division panel.



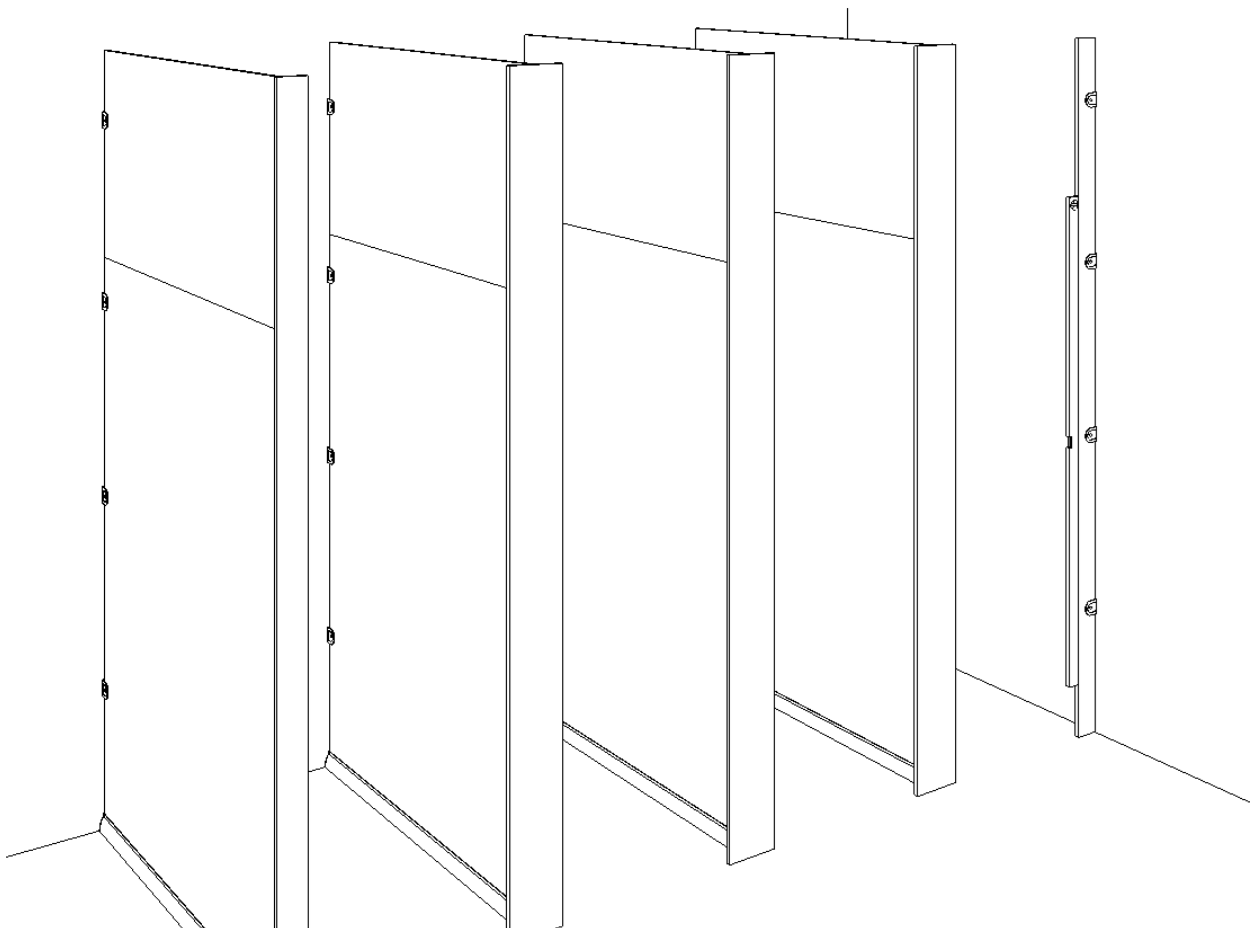
5. Mark up for cleats to hold end pilasters, using a straight edge across the front of the other pilasters, ensuring that the pilasters are pushed against the divisions, as per diagram below. Check wall cleats are plumb. This line will represent the **outside edge of the pilaster panel** not the fixing centre line – see cleat diagram below.



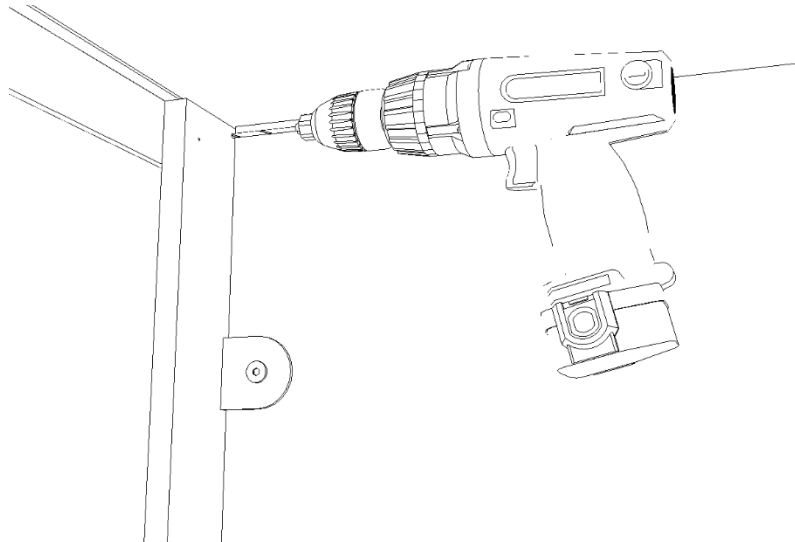
6. Fix the four wall cleats at the same heights as all the other cleats, so that the end pilaster is in line with the other pilasters.



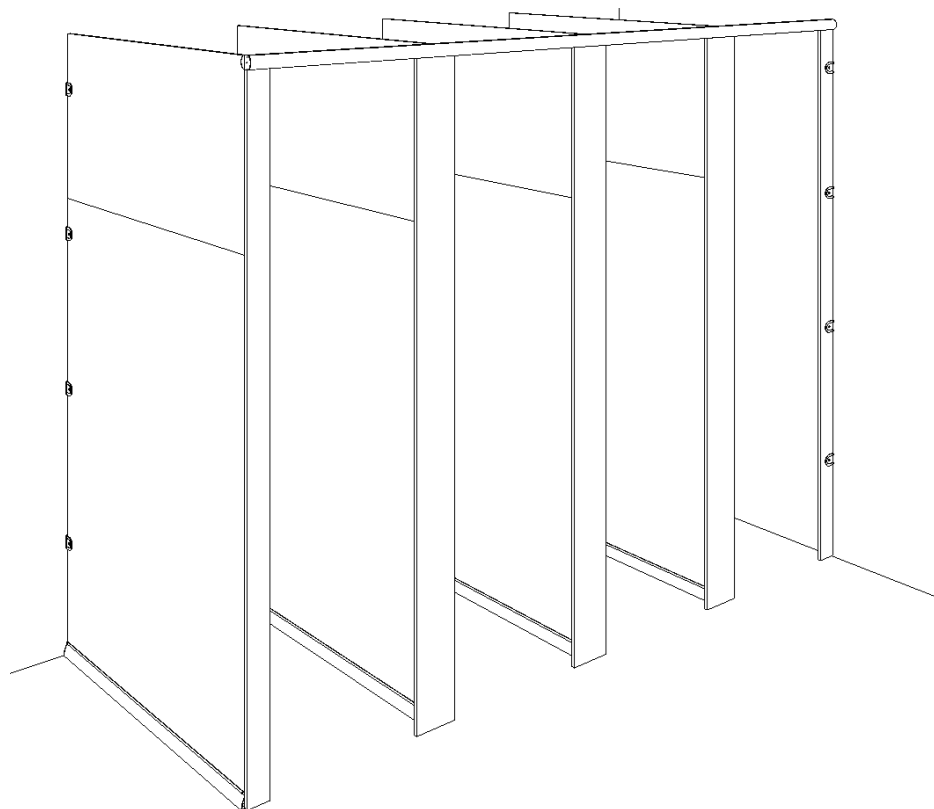
7. Fit the end pilaster using the same process as above, and make sure it is vertical.



8. Insert all interbolts and tighten.
9. Cut head rail exactly to length. Offer up and clamp headrail to **wall end pilaster(s)**. Drill through headrail screw holes in **end pilasters** from inside the cubicle and just into the headrail, using 3.5mm drill bit.

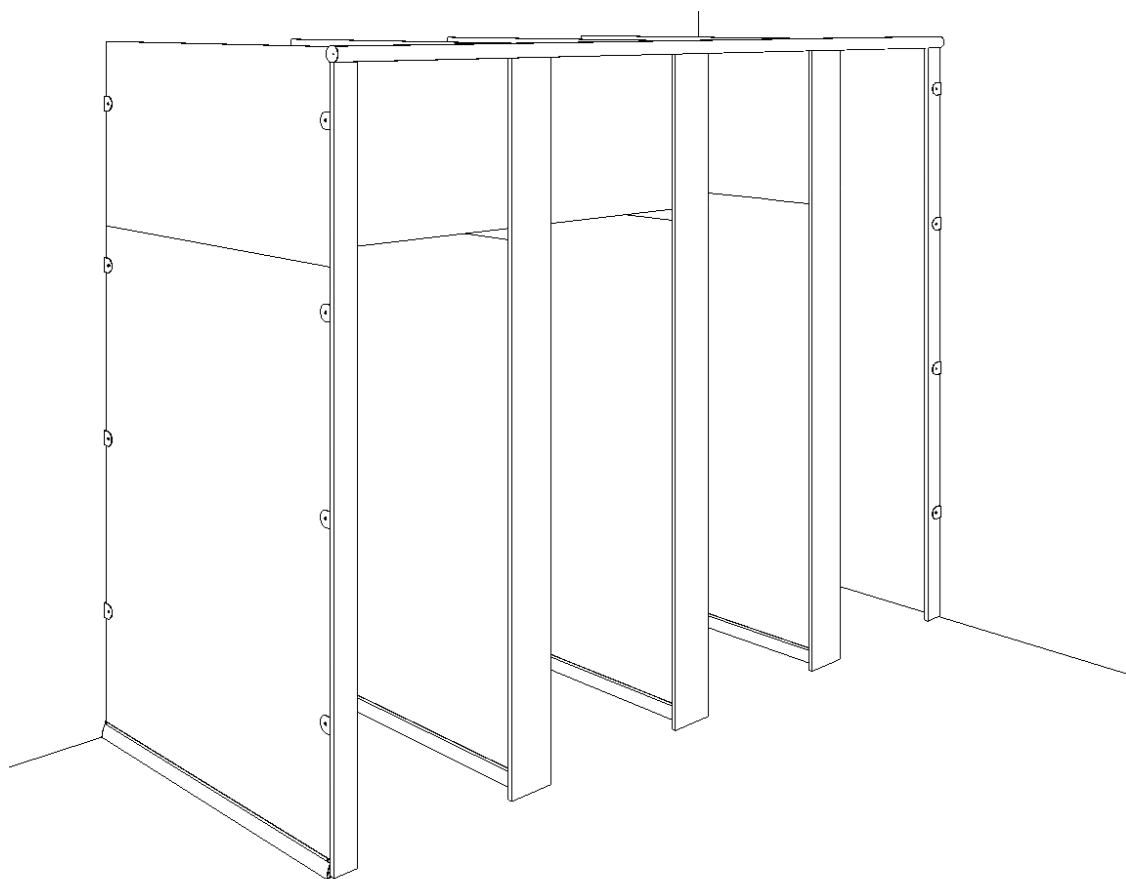


10. Fix with 4 x 30 pan-head self-tapping stainless-steel screws.
11. Adjust each centre pilaster so that it is vertical and then clamp it to the headrail. Drill and fix pilaster to headrail as above.

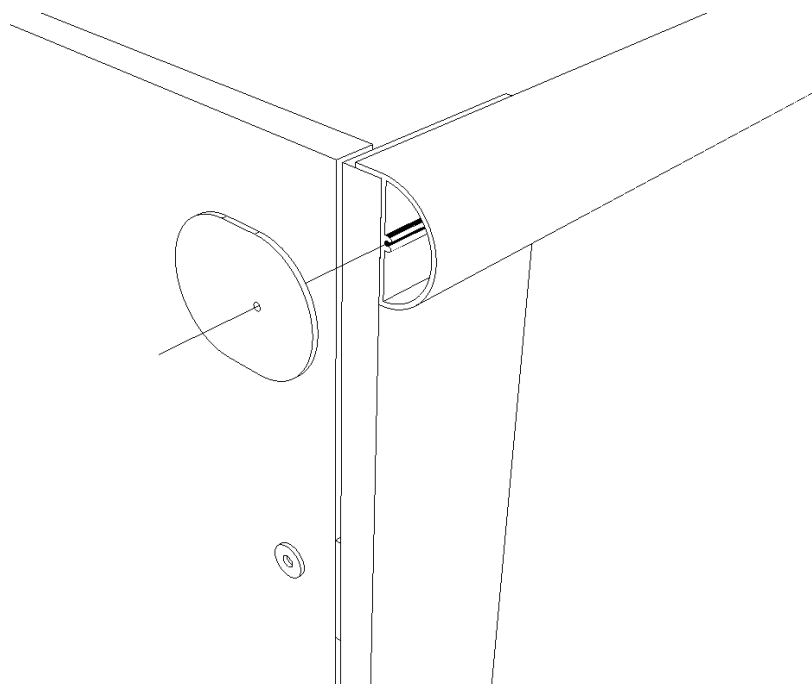


12. Repeat this for each pilaster.

- Fit door over panels (if required, shown on two left cubicles) to the pilasters above the door openings using the M6 stud fixings and interbolts, spacing the panel off the pilaster using the rubber buffers as supplied.

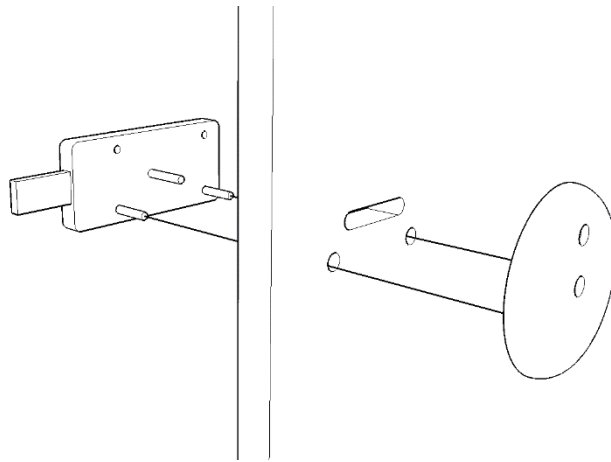


- Fix head rail end cap(s) where required.

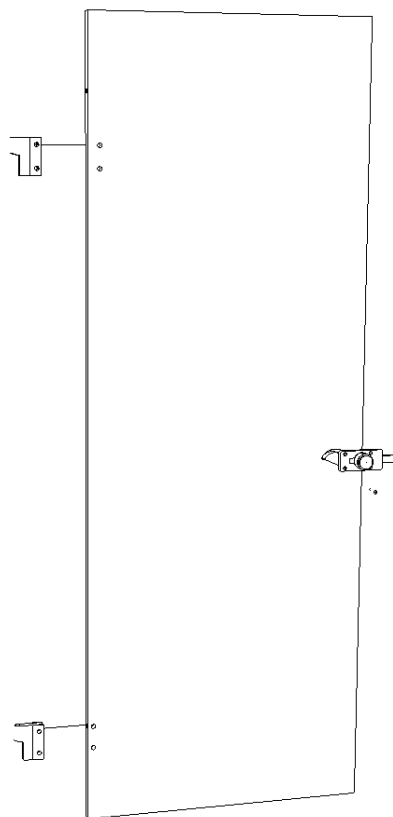


Fixing doors:

1. Assemble the cubicle doors as illustrated with lock...



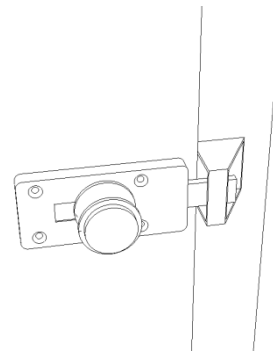
2. ...and hinges.



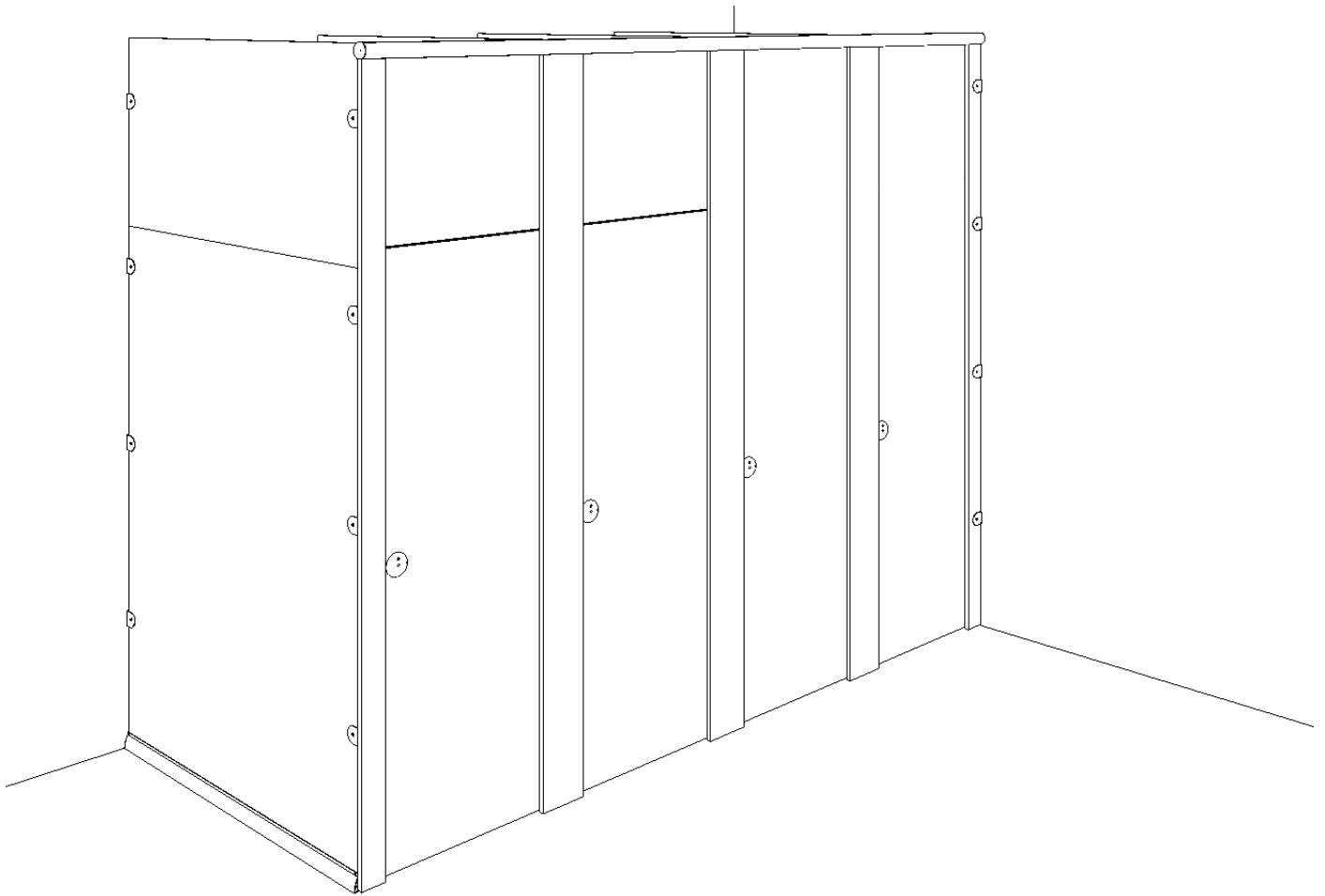
3. Hang the doors. The plastic insert in the hinge assembly can be set to make the doors fall open or fall closed. Make sure the plastic inserts are all facing the same direction.
4. Standing inside the cubicle when the door is shut, check that the lock is level and fix the top of the indicator bolt using the screws provided. Drill a pilot hole using 3.5mm drill bit supplied. CAUTION! Do not drill right through the door! Max depth 11mm

5. Mark the position of the keep onto the pilaster, leaving at least a 4mm gap between the open position of the bolt and the keep. Drill the large hole with a 10mm bit right through the panel (using a block of timber on the far side to prevent breakout) and drill the small hole with a 5mm bit only 8mm deep.

WARNING: Do not drill right through the panel!



6. Your cubicle range should now look like this. (Right two cubicles show full height doors, left two show standard height doors with infill panel.)



Fixing accessories:

1. Finally, fix toilet roll holders to partitions (back-to-back for strength) and fix coat hooks to division panels (not the door) in clear swing of the door.
2. Check that all fixings including interbolts and pedestal adjustment screws are secure.

FOR INFORMATION, ADVICE OR TO PLACE AN ORDER
CALL US ON

01707 254 170

Innova House
Rash's Green
Norfolk
NR19 1JG
T 01707 254 170
E sales@trovex.com
W trovex.com